



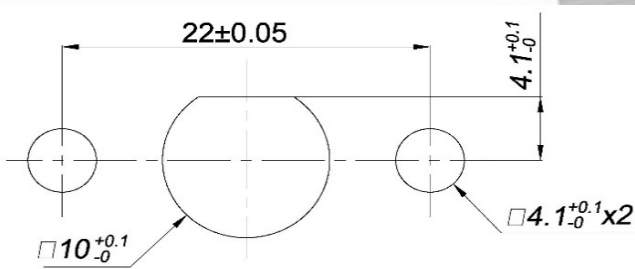


Approval & Rating:

Rating	Approval
8(3)A 125/250VAC~T125/55	
12A-8(3)A 250VAC~T125/55	 
8A 125/250VAC	



PANEL CUTOUT DIMENSION: (面板安裝孔開口尺寸)



PANEL CUTOUT

Electrical(電氣性能):

(接觸電阻) INITIAL CONTACT RESISTANCE: 20Ω Max

(操作力量) OPERATION FORCE: 500±200gf

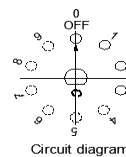
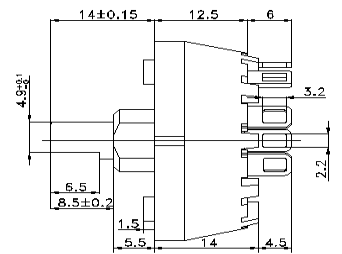
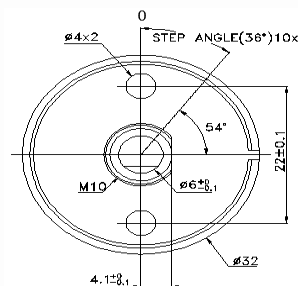
(絕緣電阻) INSULATION RESISTANCE: 100mΩ Min 500VDC

(電氣壽命) ENDURANCE: 10,000 CYCLES

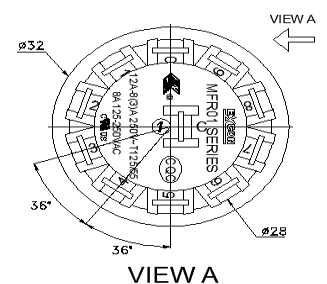
SPEC DRAWING(規格圖面)

Unit: mm

MFR01-A1F03L1S-R

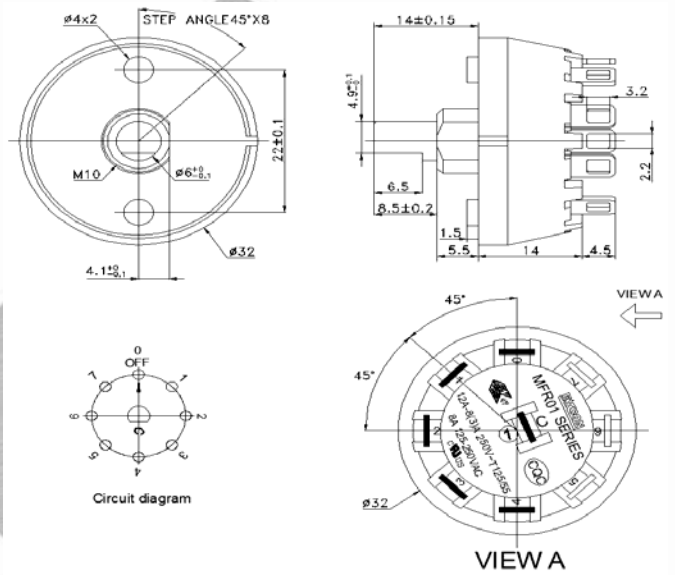


Circuit diagram

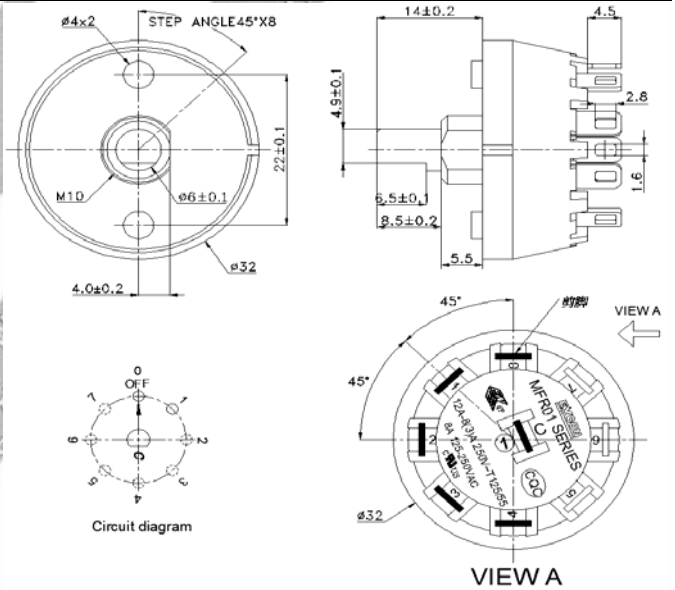


VIEW A

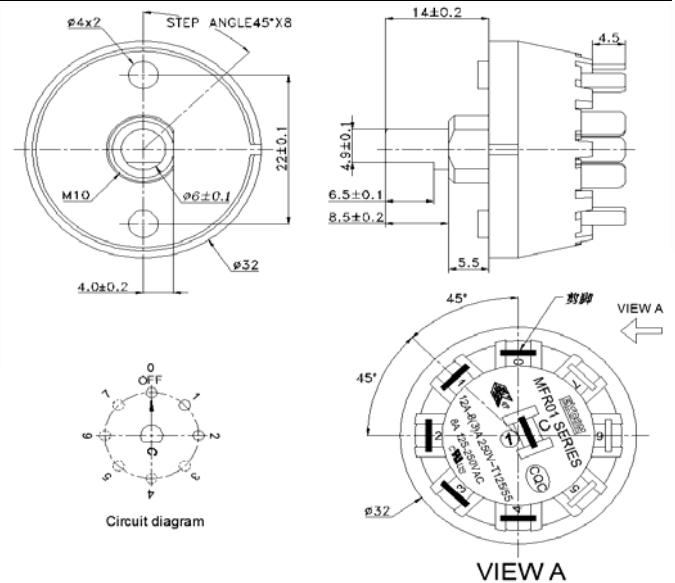
MFR01-A2F01L1S-R



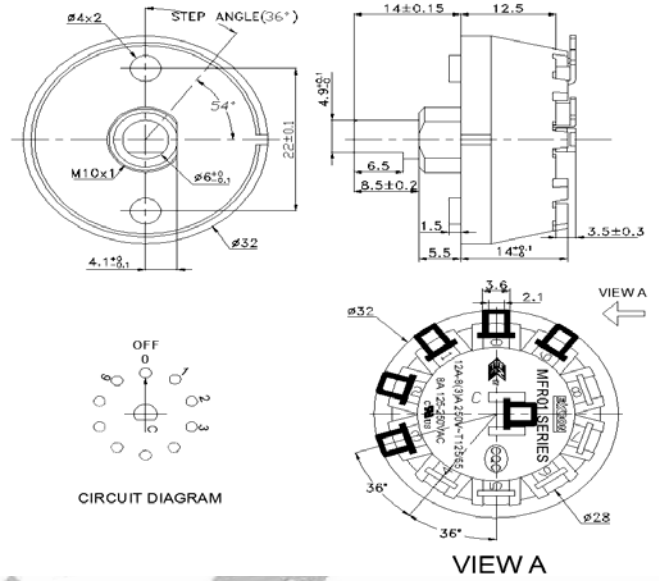
MFR01-A2F01L1E-R



MFR01-A2F02L1F-R



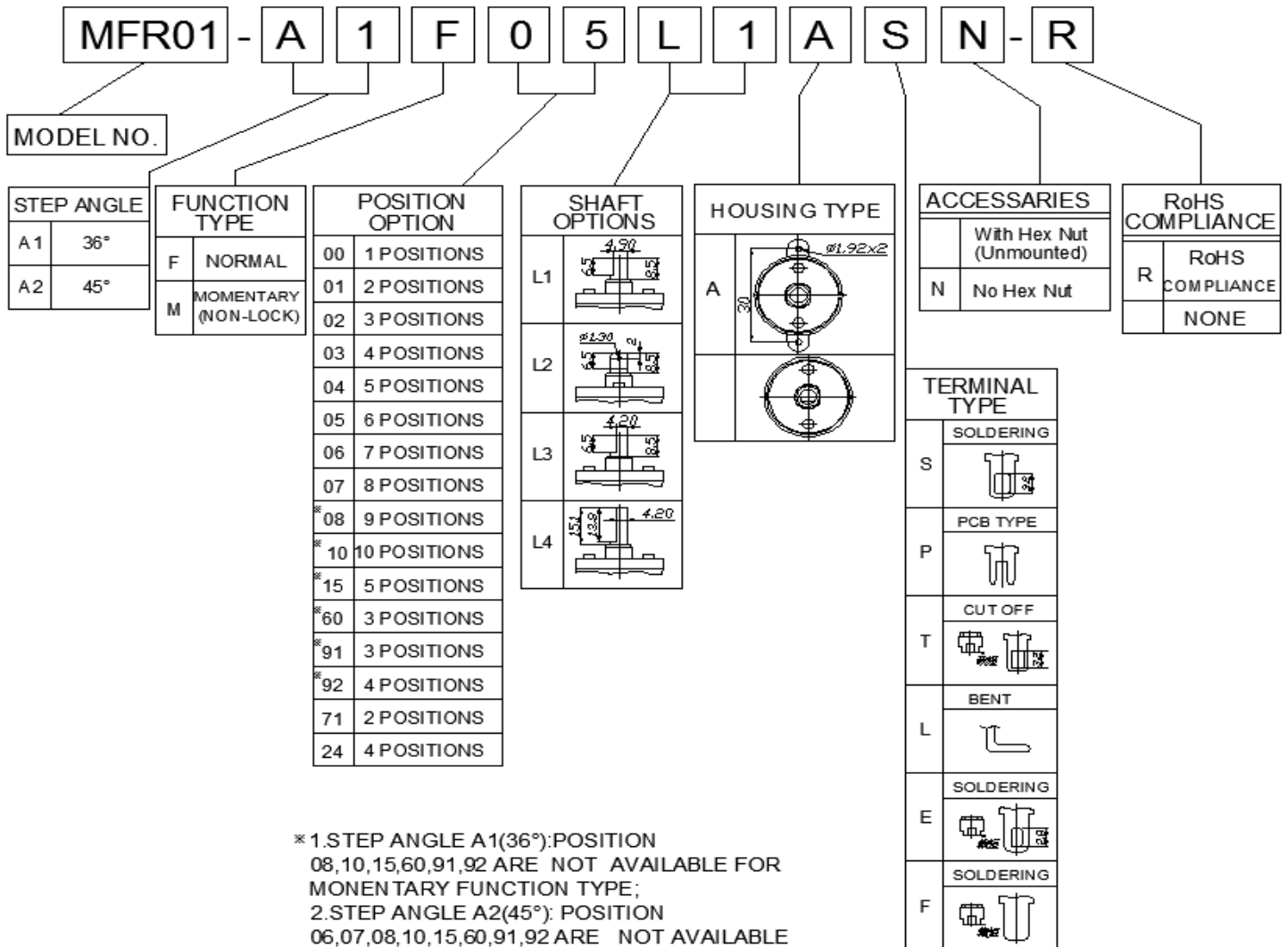
MFR01-A1M03L1L-R



89, Xing Long Road, Ping Zhen Dist., 32460 Taoyuan
www.excon.com.tw

HOW TO ORDER(採購識別碼)

MFR01 SERIES ORDERING SYSTEM



*1. STEP ANGLE A1(36°): POSITION 08,10,15,60,91,92 ARE NOT AVAILABLE FOR MOMENTARY FUNCTION TYPE;
 2. STEP ANGLE A2(45°): POSITION 06,07,08,10,15,60,91,92 ARE NOT AVAILABLE FOR MOMENTARY FUNCTION TYPE;
 3. 91,92 ARE APPLIED TO PRODUCT OF 36° ONLY ;
 4. 15,60 ARE APPLIED TO PRODUCT OF 45° ONLY ;
 5. TERMINAL OF "T" TYPE APPLIED FOR "0" # POSITION EXCEPT FOR A2F60L1T("7"# POSITION).