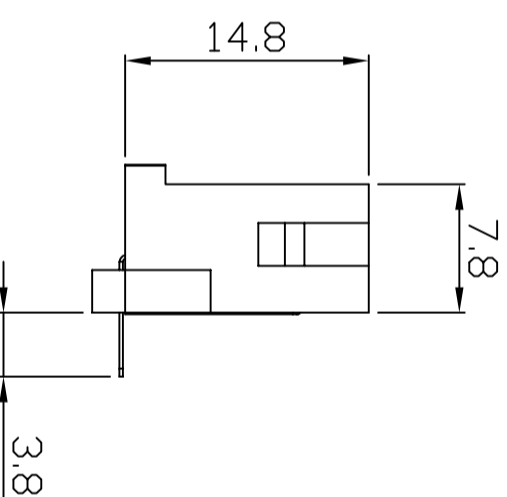
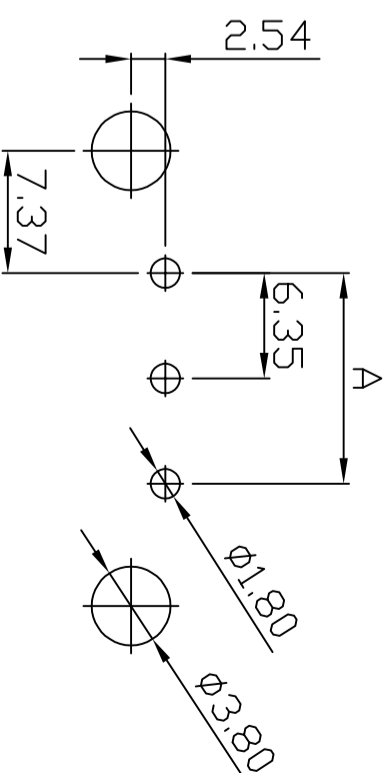
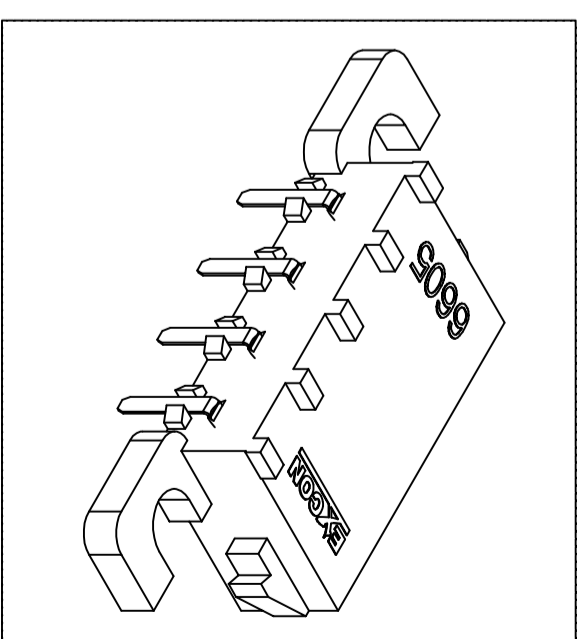
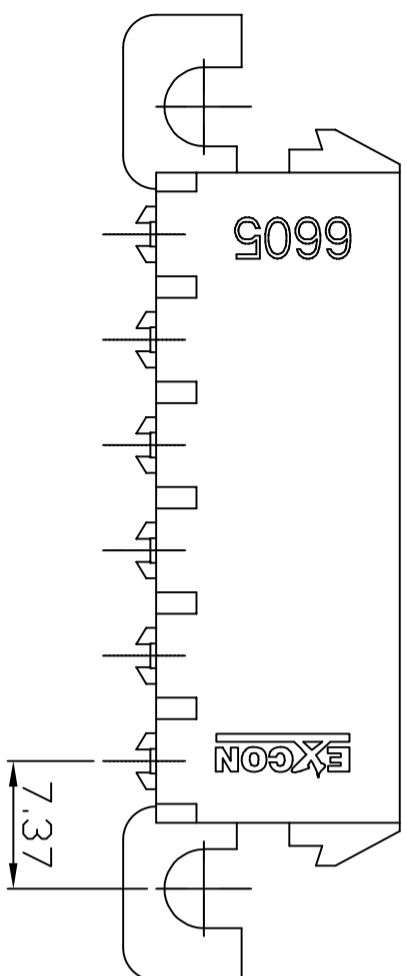
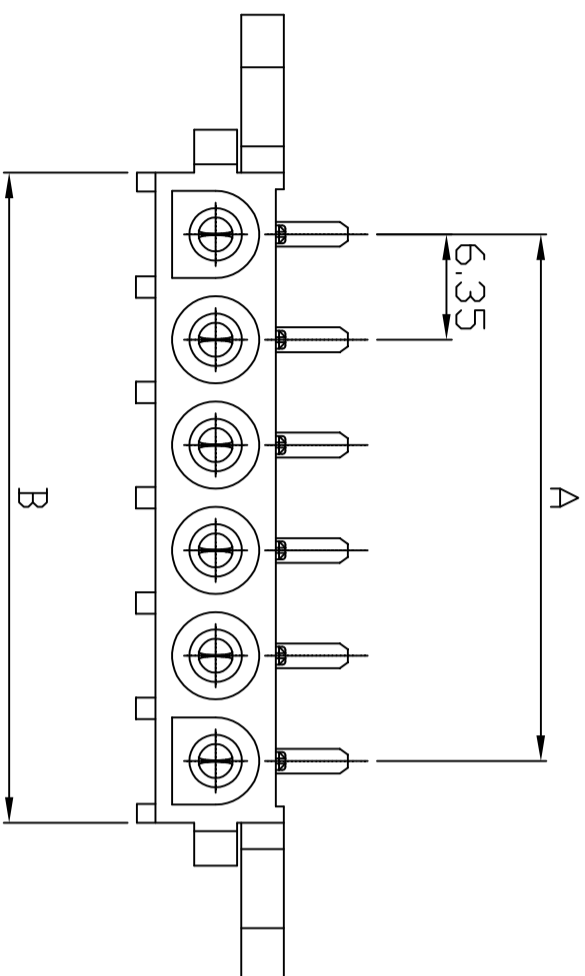


PART NO.
6605xxWR001
DWG NO.
C6605WR



RECOMMENDED PCB LAYOUT
(PCB THK=1.0~1.6)

Dimensional & Ordering Information:

Part No.	Circuits	Dim A	Dim B
660502WR001	2	6.35	14.10
660503WR001	3	12.70	20.45
660504WR001	4	19.05	26.80
660505WR001	5	25.40	33.15
660506WR001	6	31.75	39.50

UNLESS OTHERWISE SPECIFIED TOLERANCES
3 PLACE ±0.5 ±0.10
2 PLACE ±1.5 ±0.25
1 PLACE ±2.0 ±0.50
ANGLE DIM

EXCON

EXCON TECHNOLOGY COMPANY

NOTE:

1. Housing Material: Nylon 66 UL94V0
2. Color: Natural
3. Withstand voltage: 5000V AC/minute.
4. Current rating: 5A AC/DC.
5. Voltage rating: 600V AC/DC

REV.	REVISION	UNIT	DIS	DATE
SCALE	REV.	PAGE:	UNIT	DATE
SCALE	REV.	PAGE:	UNIT	DATE
NONE	B	1/1	TYRD ANGLE PROJECTION	

DWG NO: C6605WR

PART.NO 6605xxWR001

10 9 8 7 6 5 4 3 2 1