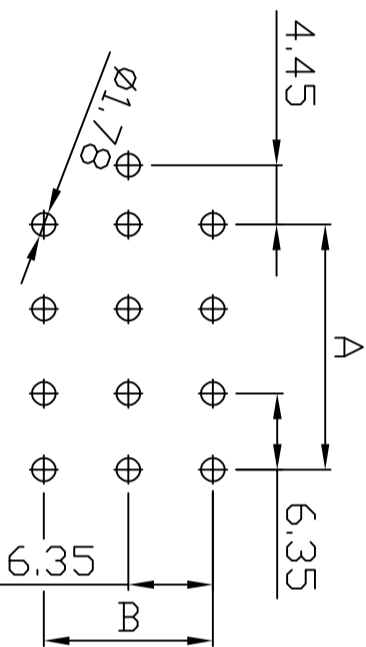


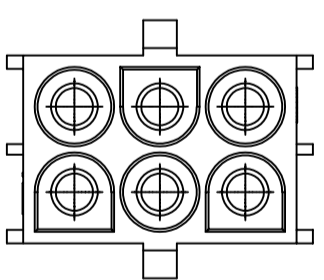
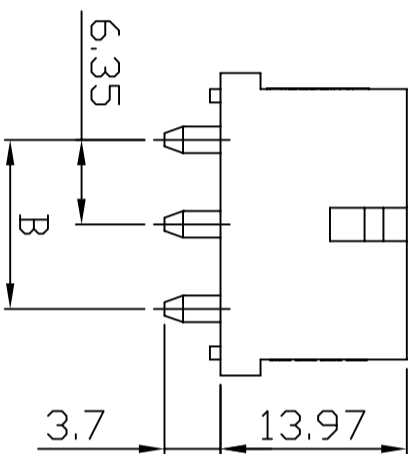
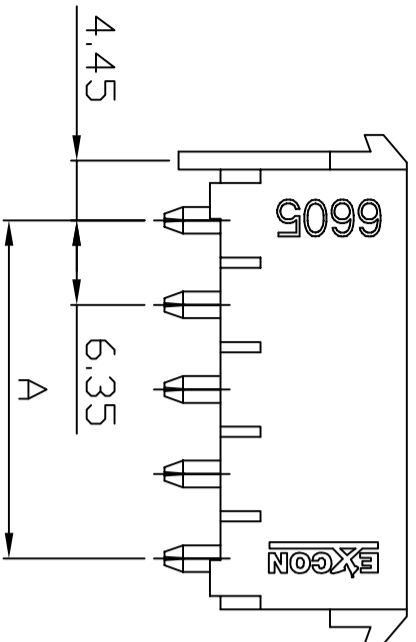
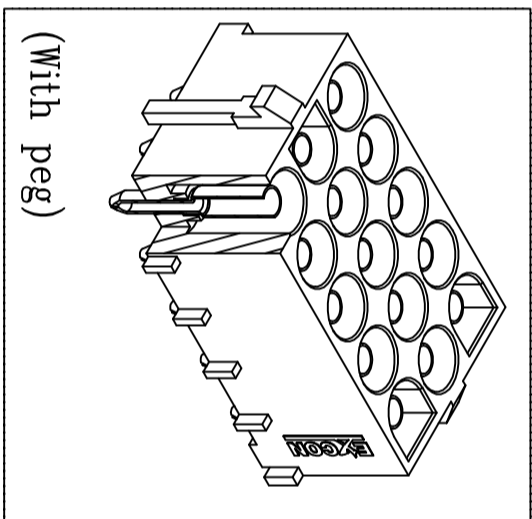
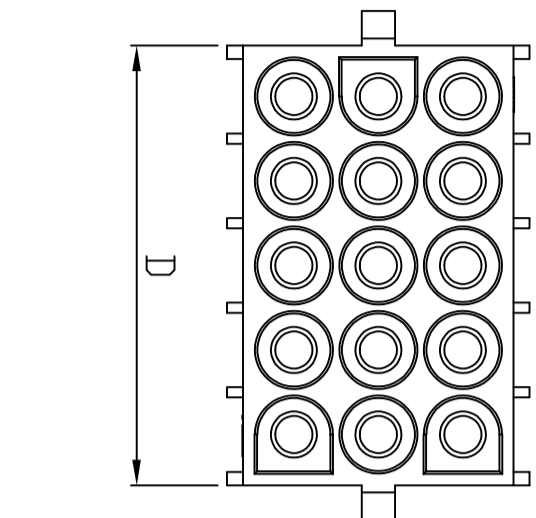
PART NO.
6605xxWP051
DWG NO.
C6605WP

Dimensional & Ordering Information:

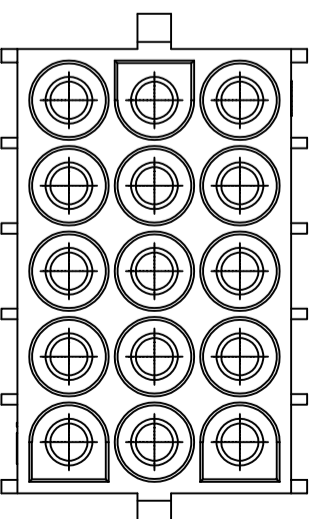
Part No.	Circuits	Dim A	Dim B	Dim C	Dim D
660502WP051	2	6.35	--	7.62	13.97
660503WP051	3	12.70	--	7.62	20.32
660504WP051	4	19.05	--	7.62	26.67
660505WP051	5	25.04	--	7.62	33.02
660506WP051	6	6.35	12.7	20.32	13.97
660509WP051	9	12.70	12.7	20.32	20.32
660512WP051	12	19.05	12.7	20.32	26.67
660515WP051	15	25.4	12.7	20.32	33.02



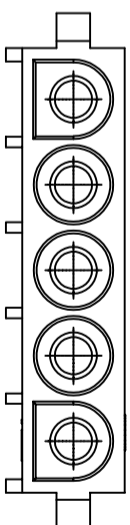
RECOMMENDED PCB LAYOUT
(PCB THK=1.0~1.6)



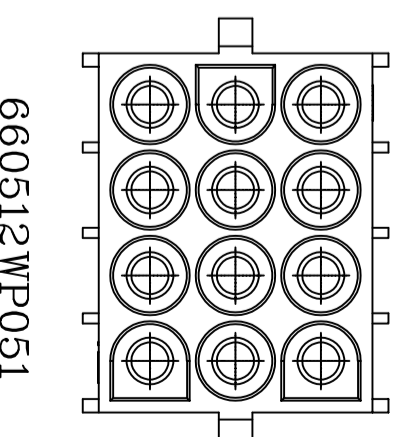
660506WP051



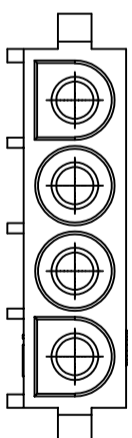
660515WP051



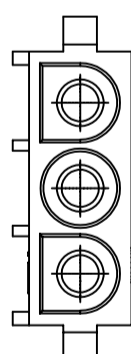
660505WP051



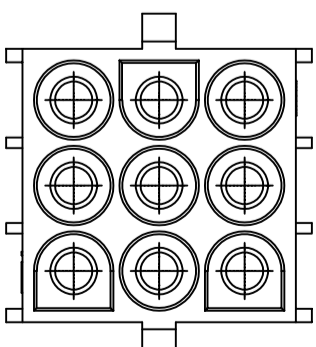
660512WP051



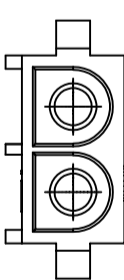
660504WP051



660503WP051



660509WP051



660502WP051

NOTE:

- Housing Material: Nylon 66 UL94V2
- Color: Natural
- Withstand voltage: 5000V AC/minute.
- Current rating: 5A AC/DC.
- Voltage rating: 600V AC/DC

UNLESS OTHERWISE SPECIFIED TOLERANCES
3 PLACE ± 0.5 ± 0.10
2 PLACE ± 1.5 ± 0.25
1 PLACE ± 2.0 ± 0.50
ANGLE DIM

EXCON

EXCON TECHNOLOGY COMPANY

REV.	REVISION	UNIT	DIS	DATE	DWG NO.	PART. NO
SCALE	REV.	PAGE:	UNIT	m/m	C6605WP	6605xxWP051
NDNE	B	1/1	TYRD ANGLE PROJECTION			

