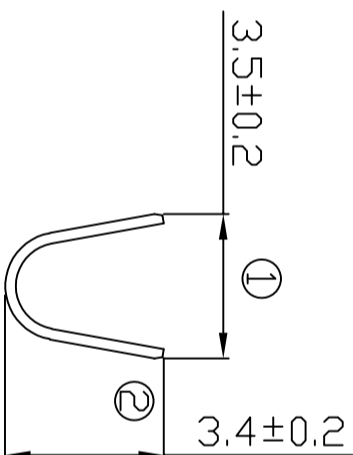
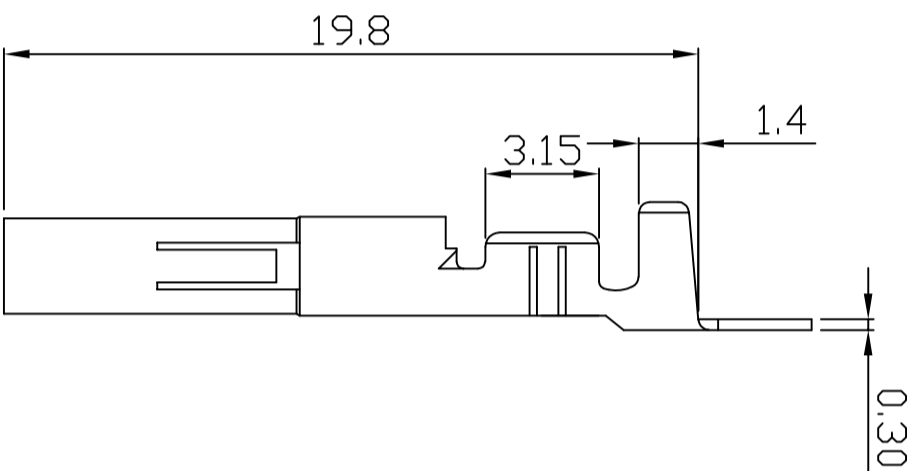
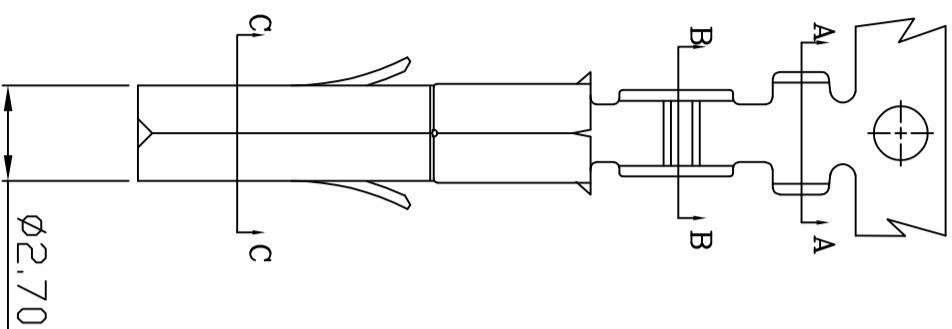
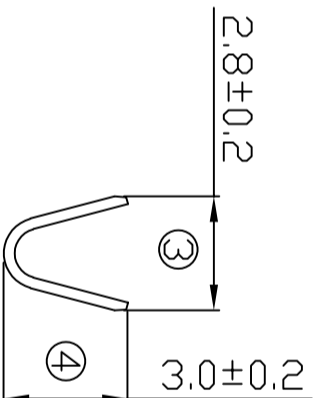


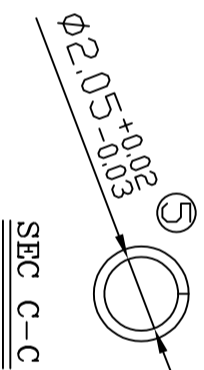
PART NO.
660500TM051
DWG NO.
C6605TM



SEC A-A

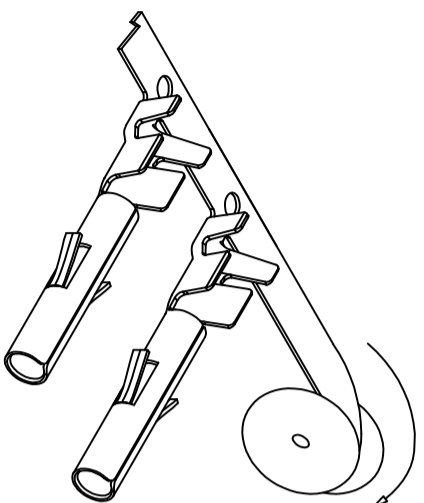
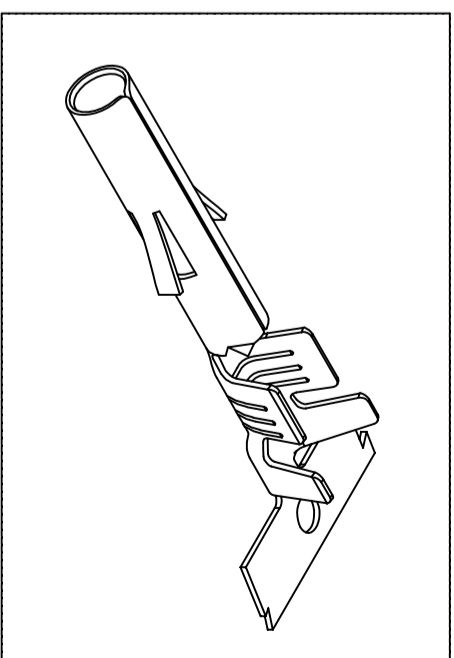


SEC B-B



- NOTE:
1. Terminal Material: See table
 2. Plated: Ni 25u"min Tin-plated 50u"min.
 3. Insulation O.D.: 1.0~2.1
 4. Applicable wires: #24~#18
 5. Q'ty / reel: 7,000pcs

No.	Part No.	Material	Finish
1	660500TM051	Brass	Tin pre-plated
2	660500TM351	phosphor	



REV.	REVISION	UNIT	DIS	DATE	UNLESS OTHERWISE SPECIFIED TOLERANCES
					3 PLACE ±0.5 ±0.10
					2 PLACE ±1.5 ±0.25
					1 PLACE ±2.0 ±0.50
SCALE	REV.	PAGE:	UNIT	DIS	DATE
NDNE	B	1	TYRD ANGLE PROJECTION		

DWG NO: C6605TM

PART.NO

EXCON

EXCON TECHNOLOGY COMPANY

660500TM051