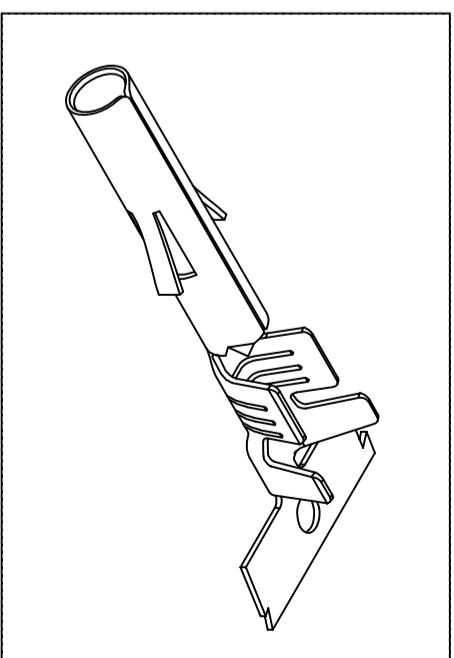
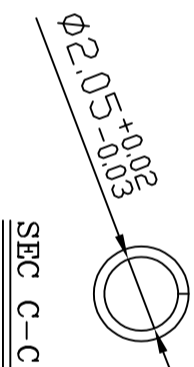
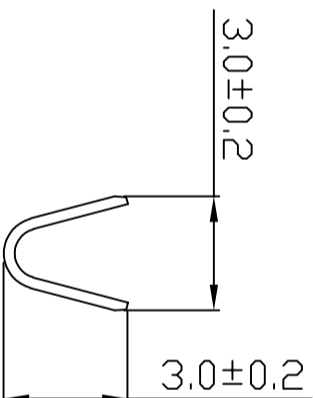
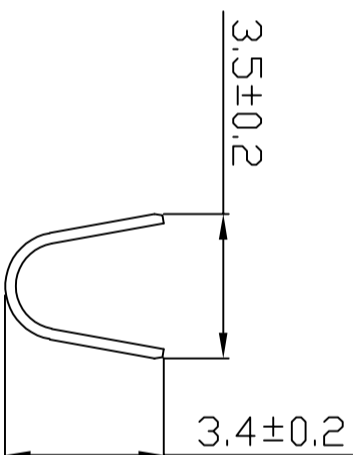
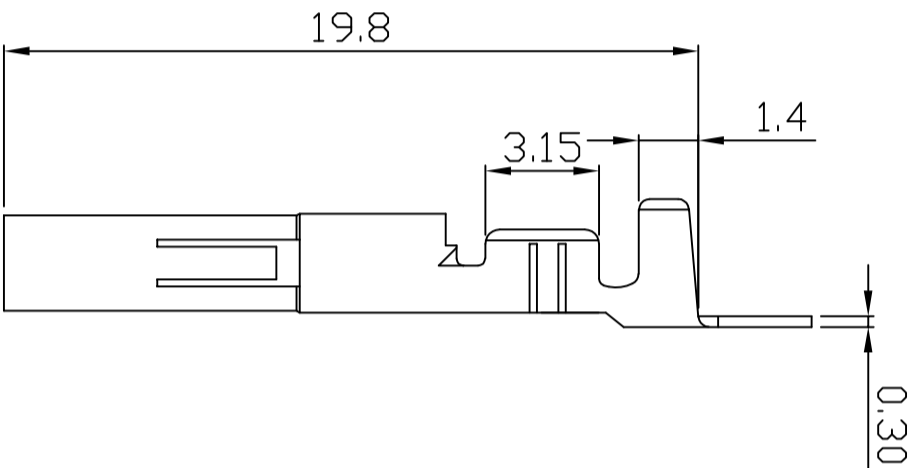
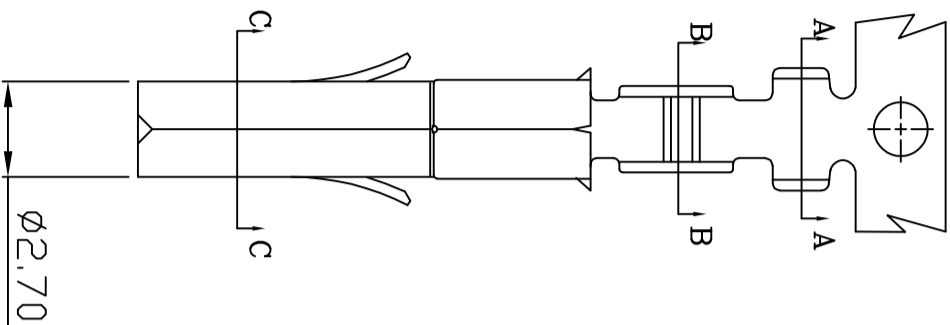


PART NO.  
660500TK051  
DWG NO.  
C6605TK



- NOTE:
1. Terminal Material: See table
  2. Plated: Ni 25u"min Tin-plated 50u"min.
  3. Insulation O.D.: 1.0~2.1
  4. Applicable wires: #24~#18
  5. Q'ty / reel: 7,000pcs

| No. | Part No.    | Material | Finish         |
|-----|-------------|----------|----------------|
| 1   | 660500TK051 | Brass    | Tin pre-plated |
| 2   | 660500TK351 | phosphor |                |

| REV. | REVISION | UNIT | DIS | DATE |
|------|----------|------|-----|------|
|      |          |      |     |      |
|      |          |      |     |      |
|      |          |      |     |      |

UNLESS OTHERWISE SPECIFIED TOLERANCES

|         |           |            |
|---------|-----------|------------|
| 3 PLACE | $\pm 0.5$ | $\pm 0.10$ |
| 2 PLACE | $\pm 1.5$ | $\pm 0.25$ |
| 1 PLACE | $\pm 2.0$ | $\pm 0.50$ |

ANGLE DIM

**EXCON**  
EXCON TECHNOLOGY COMPANY

| SCALE | REV. | PAGE: | UNIT                  | DIS    | DATE     | DWG NO: | PART.NO     |
|-------|------|-------|-----------------------|--------|----------|---------|-------------|
| NDNE  | B    | 1     | TYRD ANGLE PROJECTION | $\phi$ | $\nabla$ | C6605TK | 660500TK051 |

