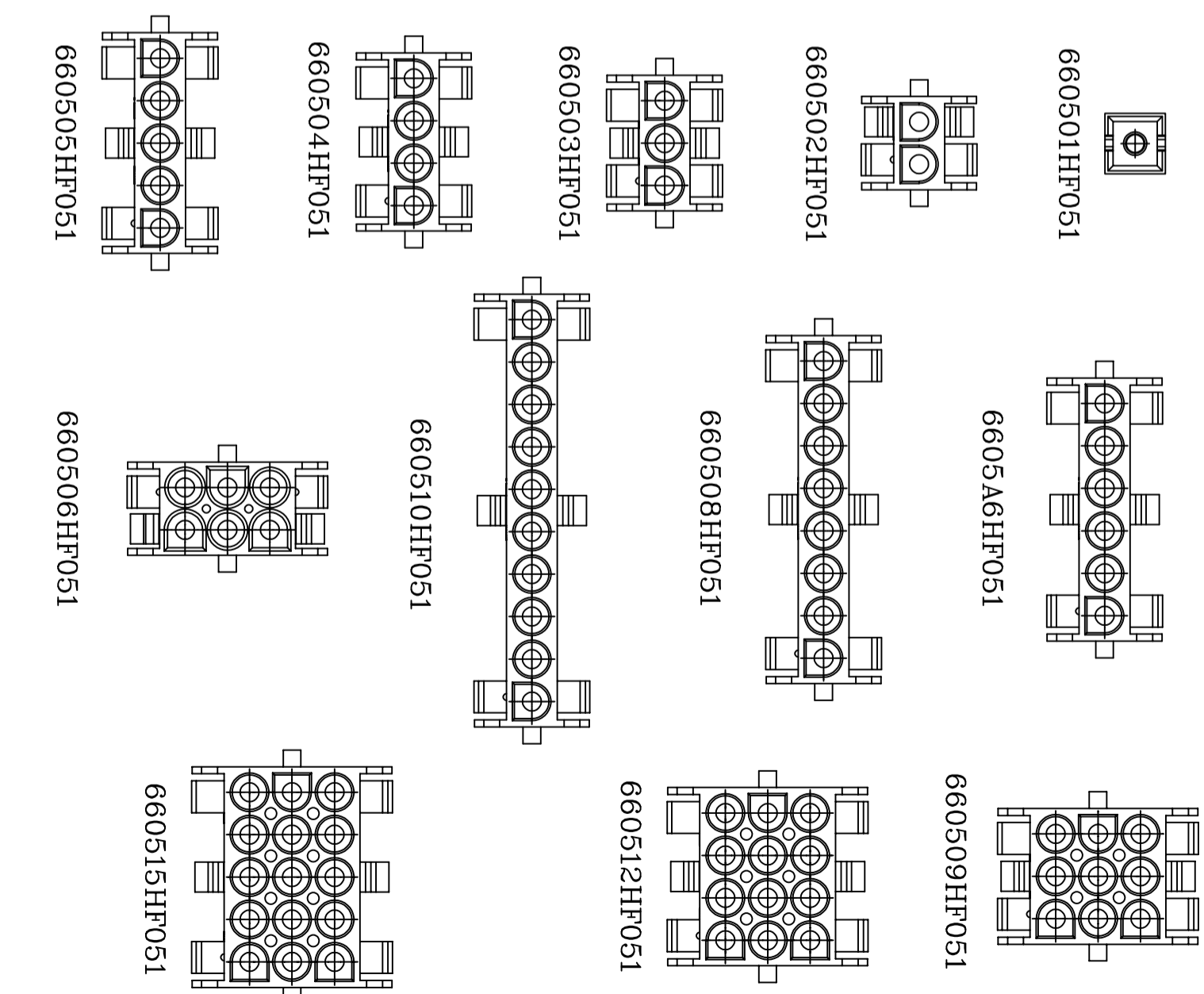
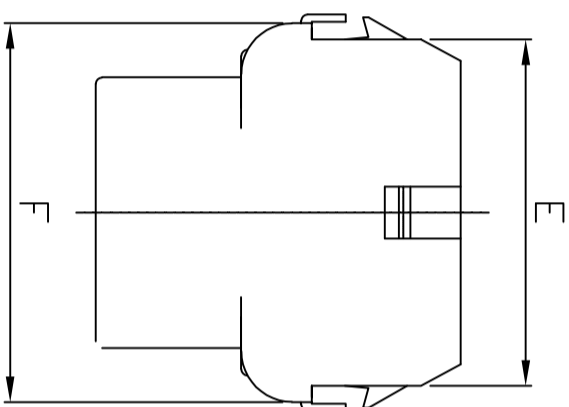
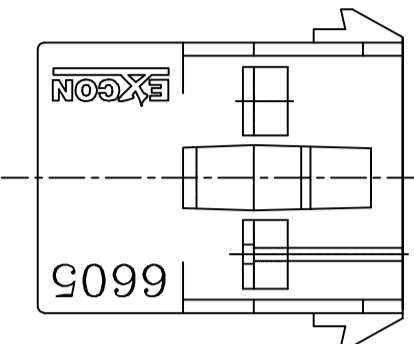
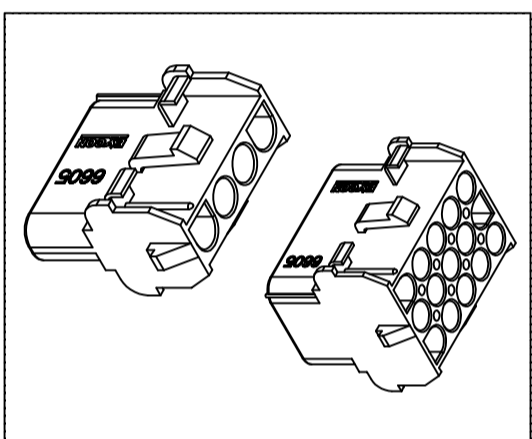
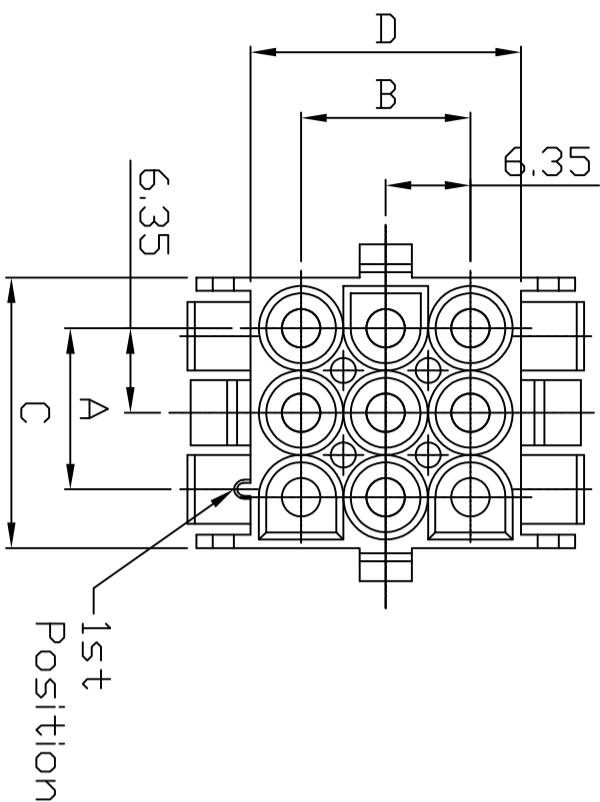


PART NO.
6605xxHF051
DWG NO.
C6605HF

Dimensional & Ordering Information:

28.45	26.0	20.32	33.02	12.70	25.40	15	660515HF051
28.45	26.0	20.32	26.67	12.70	19.05	12	660512HF051
15.75	13.3	7.62	64.77	0.00	57.15	10	660510HF051
28.45	26.0	20.32	20.32	12.70	12.70	9	660509HF051
15.75	13.3	7.62	52.07	0.00	44.45	8	660508HF051
28.45	26.0	20.32	13.97	12.70	6.35	6	660506HF051
15.75	13.3	7.62	39.37	0.00	31.75	6	6605A6HF051
15.75	13.3	7.62	33.02	0.00	25.40	5	660505HF051
15.75	13.3	7.62	26.67	0.00	19.05	4	660504HF051
15.75	13.3	7.62	20.32	0.00	12.70	3	660503HF051
15.75	13.3	7.62	13.97	0.00	6.35	2	660502HF051
--	--	--	7.62	7.62	0.00	1	660501HF051
F	E	D	C	B	A	POS	Part No.



NOTE:

1. Housing Material: Nylon 66 UL94V2
2. Color: Natural
3. Use Material: NY-V2 , 21SP,1300XG1,101F
4. Withstand voltage: 5000V AC/minute.
5. Current rating: 5A AC/DC.
6. Voltage rating: 600V AC/DC

				UNLESS OTHERWISE SPECIFIED TOLERANCES		
REV.	REVISION	DIS	DATE	3 PLACE ±0.5 ±0.10	DWG NO.: Q6605HF PART.NO 6605xxHF051	
SCALE	REV.	PAGE:	UNIT	2 PLACE ±1.5 ±0.25		
NONE	B	1/1	TYRD ANGLE PROTECTION	1 PLACE ±2.0 ±0.50		

10 9 8 7 6 5 4 3 2 1