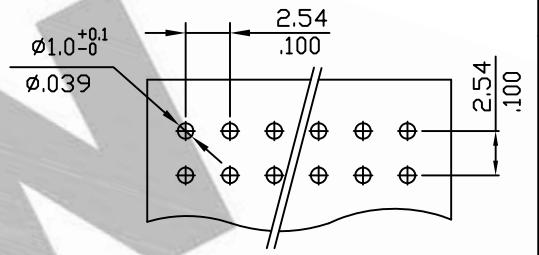
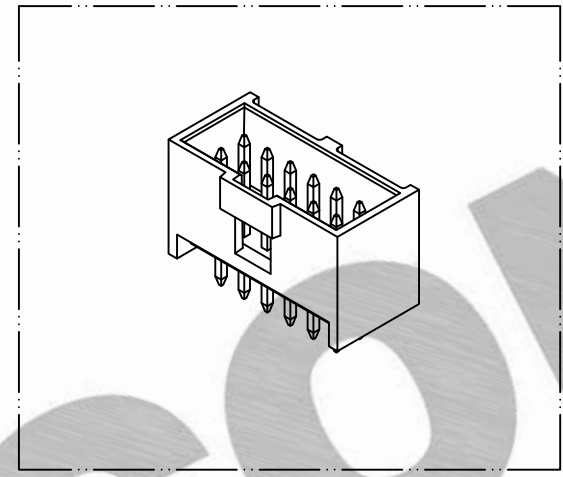
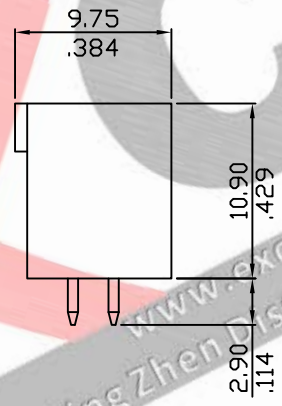
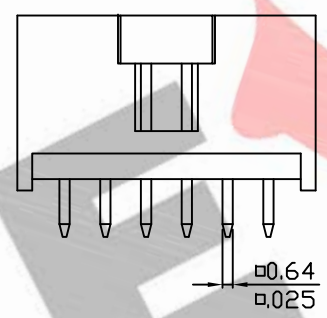
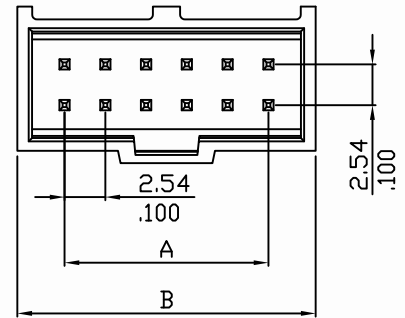


PART NO. 8823xxWV203  
 DWG NO. C8823WV



**RECOMMENDED PCB LAYOUT**  
 (PCB T=1.0~1.6mm)  
 (PCB T=.039~.063in)

**Dimensional & Ordering Information:**

Part No.	Part No.	POS	A	B	C
882310WV203-G	882310WV203	10	10.16	32.00	21.84
882314WV203-G	882314WV203	14	15.24	37.08	26.92
882316WV203-G	882316WV203	16	17.78	39.62	29.46
882320WV203-G	882320WV203	20	22.86	44.70	34.54
882324WV203-G	882324WV203	24	27.94	49.78	39.62
882326WV203-G	882326WV203	26	30.48	52.32	42.16
882330WV203-G	882330WV203	30	35.56	57.40	47.24
882334WV203-G	882334WV203	34	40.64	62.48	52.32
882340WV203-G	882340WV203	40	48.26	70.10	59.94
882350WV203-G	882350WV203	50	60.96	82.80	72.64
882360WV203-G	882360WV203	60	73.66	95.50	85.34
882364WV203-G	882364WV203	64	78.74	100.58	90.42
Gold Flash (1u")		Tin plated			

**NOTE:**

1. Wafer Material: PBT UL94V-0  
Pin/Pos Material: brass bronze.
2. Plated: Gold Flash (1u") / Tin plated
3. Insulation resistance: 1000M ohm/min.
4. Withstand voltage: 1000V AC/minute.
5. Current retang: 3A AC/DC.
6. Voltage rating: 250V AC/DC

REV.	REVISIONI		DIS	DATE	UNLESS OTHERWISE SPECIFIED TOLERANCES 3 PLACE ±0.5 ±0.10 2 PLACE ±1.5 ±0.25 1 PLACE ±2.0 ±0.50 ANGLE DIM
SCALE	REV.	PAGE:	UNIT	M M	
2/1	A	1	THIRD ANGLE PROJECTION		DWG NO: C8823WV

**EXCON**  
**EXCON TECHNOLOGY COMPANY**

PART.NO  
 8823xxWV203