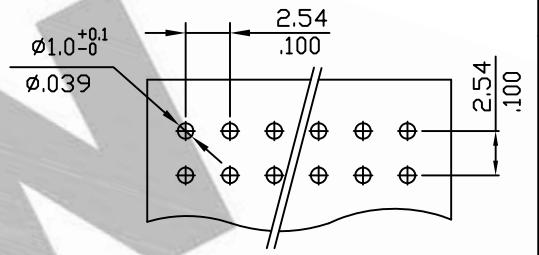
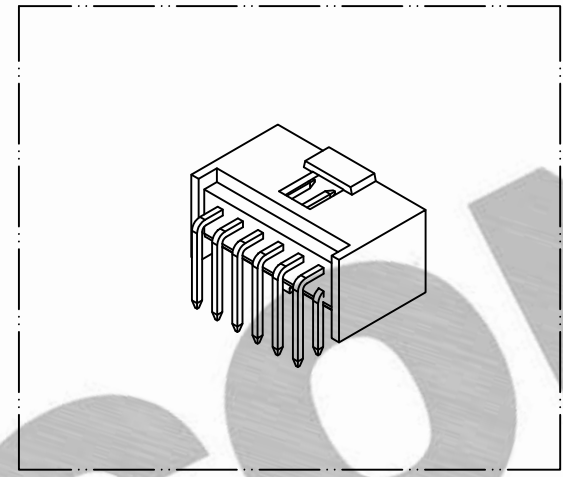
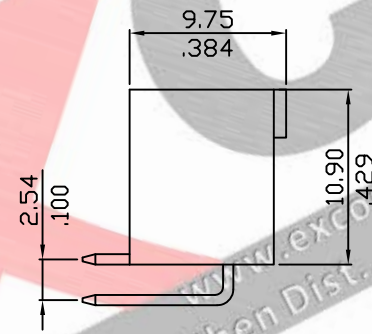
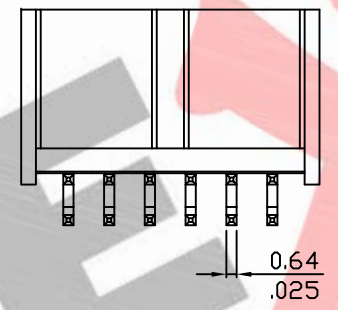
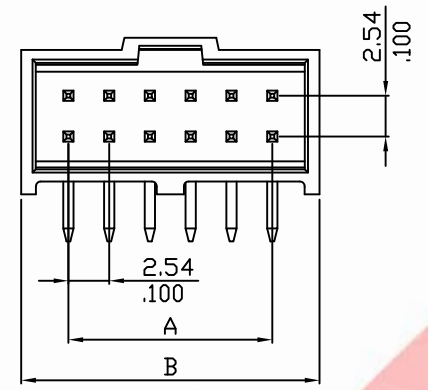


PART NO. 8823xxWR203
 DWG NO. C8823WR



RECOMMENDED PCB LAYOUT
 (PCB T=1.0~1.6mm)
 (PCB T=.039~.063in)

Dimensional & Ordering Information:

Part No.	Part No.	POS	A	B	C
882310WR203-G	882310WR203	10	10.16	32.00	21.84
882314WR203-G	882314WR203	14	15.24	37.08	26.92
882316WR203-G	882316WR203	16	17.78	39.62	29.46
882320WR203-G	882320WR203	20	22.86	44.70	34.54
882324WR203-G	882324WR203	24	27.94	49.78	39.62
882326WR203-G	882326WR203	26	30.48	52.32	42.16
882330WR203-G	882330WR203	30	35.56	57.40	47.24
882334WR203-G	882334WR203	34	40.64	62.48	52.32
882340WR203-G	882340WR203	40	48.26	70.10	59.94
882350WR203-G	882350WR203	50	60.96	82.80	72.64
882360WR203-G	882360WR203	60	73.66	95.50	85.34
882364WR203-G	882364WR203	64	78.74	100.58	90.42
Gold Flash (1u")		Tin plated			

NOTE:

1. Wafer Material: PBT UL94V-0
Pin/Pos Material:
2. Plated: Gold Flash (1u") / Tin plated
3. Insulation resistance: 1000M ohm/min.
4. Withstand voltage: 1000V AC/minute.
5. Current retang: 3A AC/DC.
6. Voltage rating: 250V AC/DC

				UNLESS OTHERWISE SPECIFIED TOLERANCES		EXCON EXCON TECHNOLOGY COMPANY
				3 PLACE ±0.5 ±0.10		
				2 PLACE ±1.5 ±0.25		
				1 PLACE ±2.0 ±0.50		
				ANGLE DIM		
REV.	REVISIONI			DIS	DATE	
SCALE	REV.	PAGE:	UNIT	mm		DWG NO:
2/1	A	1	THIRD ANGLE PROJECTION			C8823WR
						PART.NO
						8823xxWR203