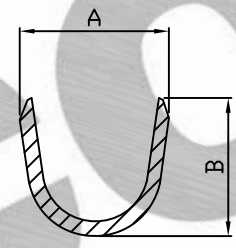
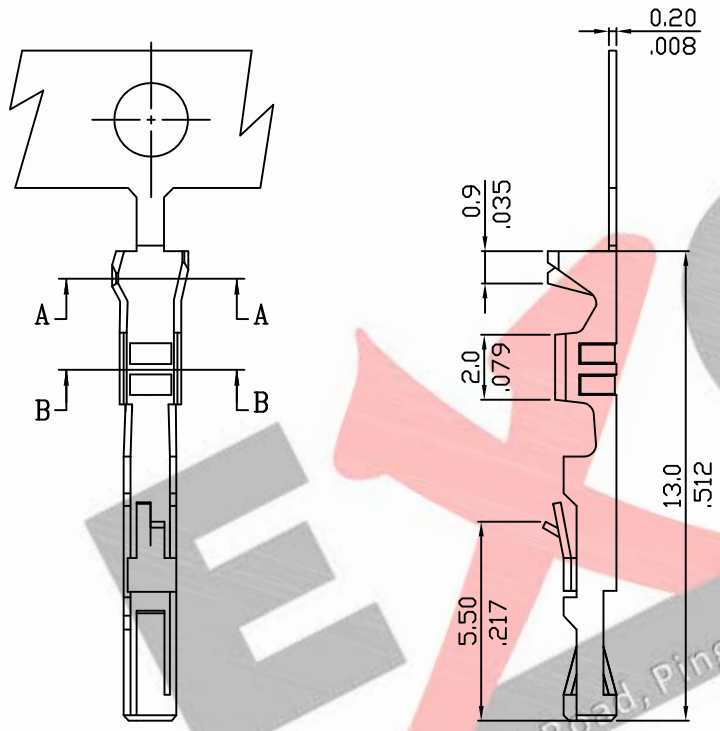
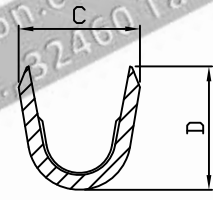


10 9 8 7 6 5 4 3 2 1

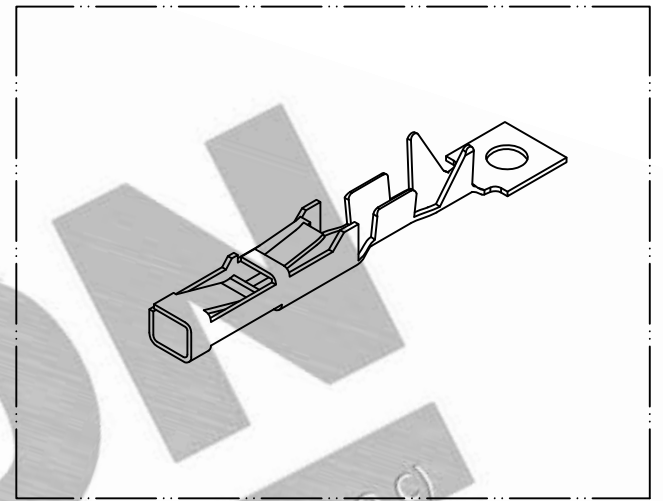
PART NO. 882300TC351
 DWG NO. C8823TC



SEC A-A



SEC B-B



NOTE:

1. Terminal Material: brass bronze.
2. Plated: Tin plated
3. Applicable wires: AWG#28-#22
4. Insulation O.D.: 0.8-1.5mm
5. Q'ty / reel:20,000pcs

				UNLESS OTHERWISE SPECIFIED TOLERANCES		EXCON
				3 PLACE ±0.5 ±0.10		
				2 PLACE ±1.5 ±0.25		<u>EXCON TECHNOLOGY COMPANY</u>
				1 PLACE ±2.0 ±0.50		
REV.	REVISIONI			DIS	DATE	ANGLE DIM
SCALE	REV.	PAGE:	UNIT	mm		DWG NO:
5/1	A	1	THIRD ANGLE PROJECTION			C8823TC
					PART.NO	
					882300TC351	

F
E
D
C
B
A

F
E
D
C
B
A

10 9 8 7 6 5 4 3 2 1