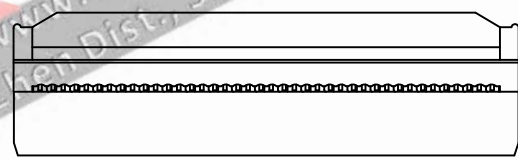
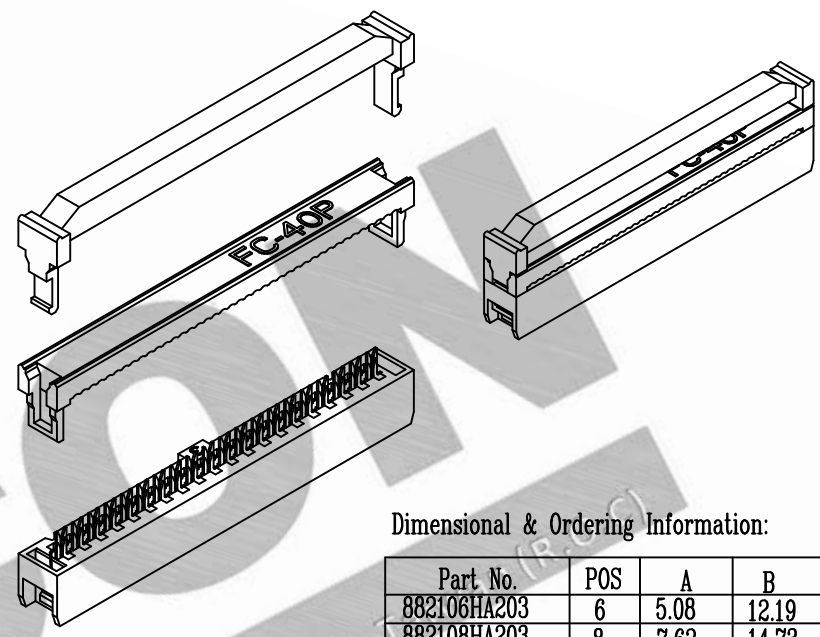
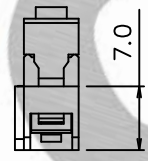
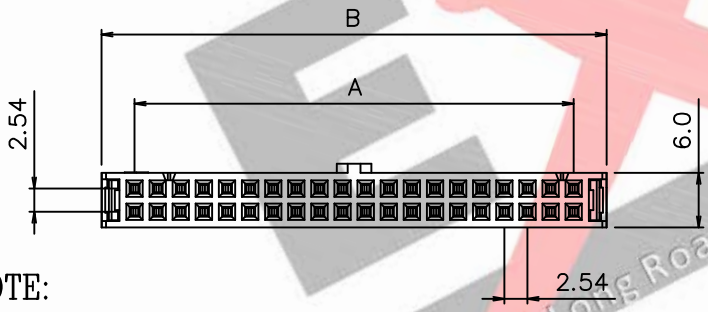
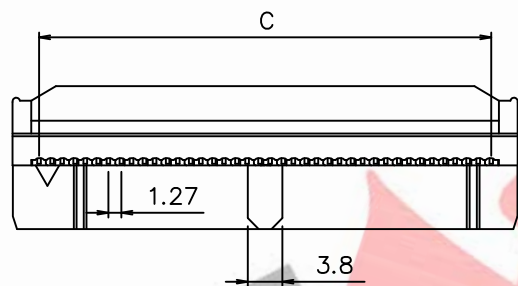
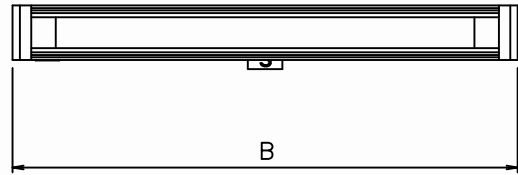


PART NO. 8821xxHA203
 DWG NO. C8821HA



Dimensional & Ordering Information:

Part No.	POS	A	B	C
882106HA203	6	5.08	12.19	6.35
882108HA203	8	7.62	14.73	8.89
882110HA203	10	10.16	17.27	11.43
882112HA203	12	12.70	19.81	13.97
882114HA203	14	15.24	22.35	16.51
882116HA203	16	17.78	24.89	19.05
882120HA203	20	22.86	29.97	24.13
882124HA203	24	27.94	35.05	29.21
882126HA203	26	30.48	37.59	31.75
882130HA203	30	35.56	42.67	36.83
882134HA203	34	40.64	47.75	41.91
882140HA203	40	48.26	55.37	49.53
882144HA203	44	53.34	60.45	54.61
882150HA203	50	60.96	68.07	62.23
882156HA203	56	68.58	75.69	69.85
882160HA203	60	73.66	80.77	74.93
882162HA203	62	76.20	83.31	77.47
882164HA203	64	78.74	85.85	80.01

NOTE:

1. Wafer Material: PBT UL94V-0
Pin/Pos Material: brass bronze.
2. Plated: Tin-plated 50u"min.
3. Insulation resistance: 1000M ohm/min.
4. Withstand voltage: 1000V AC/minute.
5. Current retang: 3A AC/DC.
6. Voltage rating: 250V AC/DC

				UNLESS OTHERWISE SPECIFIED TOLERANCES	
				3 PLACE ±0.5 ±0.10	
				2 PLACE ±1.5 ±0.35	
				1 PLACE ±2.0 ±0.50	
				ANGLE DIM	
REV.	REVISIONI			DIS	DATE
SCALE	REV.	PAGE:	UNIT	mm	
1/1	A	2	THIRD ANGLE PROJECTION		
				DWG NO:	
				C8821HA	

EXCON

EXCON TECHNOLOGY COMPANY

PART.NO

8821xxHA203