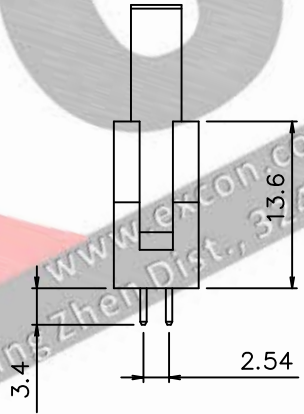
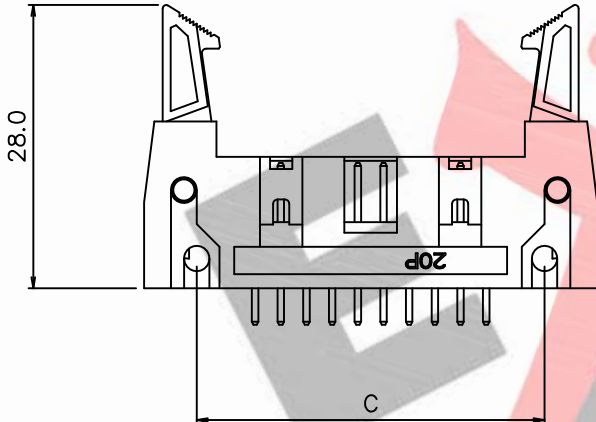
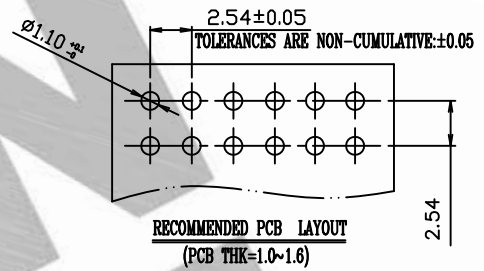
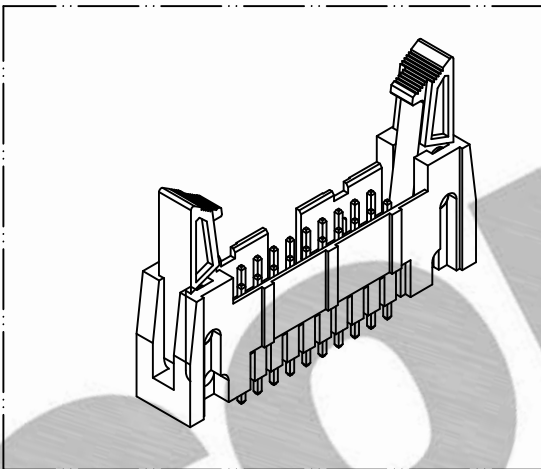
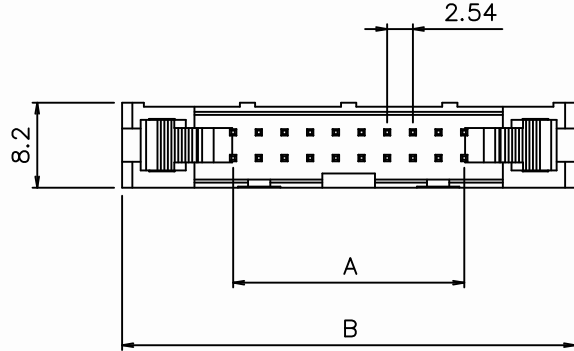


PART NO. 8820xxWV203
 DWG NO. C8820WV



Dimensional & Ordering Information:

Part No.	POS	A	B	C
882010WV203	10	10.16	32.00	21.84
882014WV203	14	15.24	37.08	26.92
882016WV203	16	17.78	39.62	29.46
882020WV203	20	22.86	44.70	34.54
882024WV203	24	27.94	49.78	39.62
882026WV203	26	30.48	52.32	42.16
882030WV203	30	35.56	57.40	47.24
882034WV203	34	40.64	62.48	52.32
882040WV203	40	48.26	70.10	59.94
882050WV203	50	60.96	82.80	72.64
882060WV203	60	73.66	95.50	85.34
882064WV203	64	78.74	100.58	90.42

NOTE:

1. Wafer Material: PBT UL94V-0
Pin/Pos Material: brass bronze.
2. Plated: Gold Flash
3. Insulation resistance: 1000M ohm/min.
4. Withstand voltage: 1000V AC/minute.
5. Current retang: 3A AC/DC.
6. Voltage rating: 250V AC/DC

				UNLESS OTHERWISE SPECIFIED TOLERANCES		
				3 PLACE ±0.5 ±0.10		
				2 PLACE ±1.5 ±0.25		<u>EXCON TECHNOLOGY COMPANY</u>
				1 PLACE ±2.0 ±0.50		
				ANGLE DIM		
REV.	REVISIONI			DIS	DATE	
SCALE	REV.	PAGE:	UNIT	mm		DWG NO:
2/1	A	1	THIRD ANGLE PROJECTION			C8820WV
					PART.NO	
					8820xxWV203	