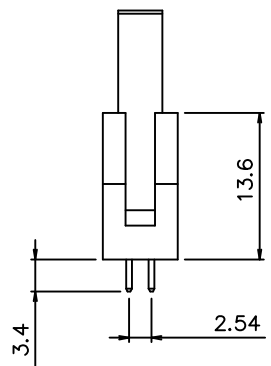
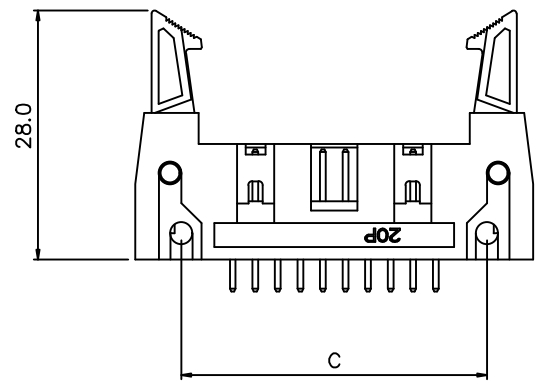
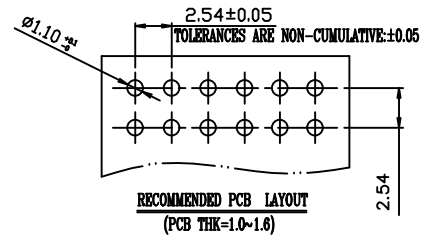
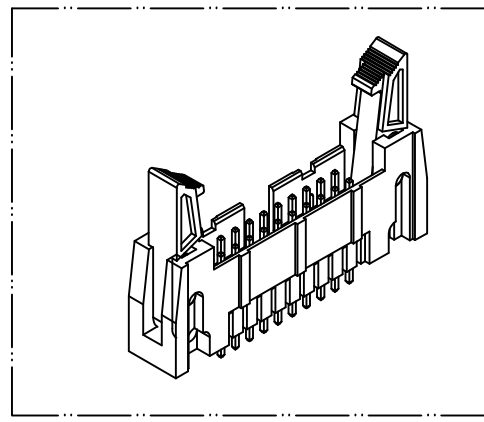
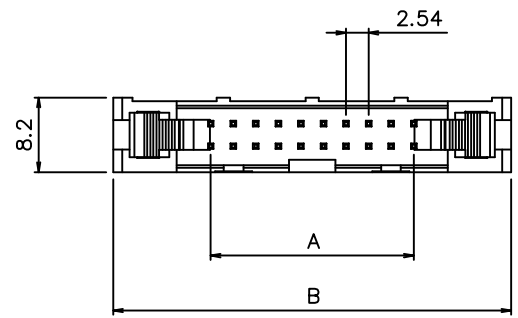


10 9 8 7 6 5 4 3 2 1

PART NO. 8820xxWV203
 DWG NO. C8820WV



Dimensional & Ordering Information:

| Part No. | POS | A | B | C |
|-------------|-----|-------|--------|-------|
| 882010WV203 | 10 | 10.16 | 32.00 | 21.84 |
| 882014WV203 | 14 | 15.24 | 37.08 | 26.92 |
| 882016WV203 | 16 | 17.78 | 39.62 | 29.46 |
| 882020WV203 | 20 | 22.86 | 44.70 | 34.54 |
| 882024WV203 | 24 | 27.94 | 49.78 | 39.62 |
| 882026WV203 | 26 | 30.48 | 52.32 | 42.16 |
| 882030WV203 | 30 | 35.56 | 57.40 | 47.24 |
| 882034WV203 | 34 | 40.64 | 62.48 | 52.32 |
| 882040WV203 | 40 | 48.26 | 70.10 | 59.94 |
| 882050WV203 | 50 | 60.96 | 82.80 | 72.64 |
| 882060WV203 | 60 | 73.66 | 95.50 | 85.34 |
| 882064WV203 | 64 | 78.74 | 100.58 | 90.42 |

NOTE:

1. Wafer Material: PBT UL94V-0
Pin/Pos Material: brass bronze.
2. Plated: Gold Flash
3. Insulation resistance: 1000M ohm/min.
4. Withstand voltage: 1000V AC/minute.
5. Current rating: 3A AC/DC.
6. Voltage rating: 250V AC/DC

| | | | | | | |
|-------|----------|-------|------|---------------------------------------|------|------------------------------|
| | | | | UNLESS OTHERWISE SPECIFIED TOLERANCES | | EXCON TECHNOLOGY COMPANY |
| | | | | 3 PLACE ± 0.5 ± 0.10 | | |
| | | | | 2 PLACE ± 1.5 ± 0.25 | | PART NO |
| | | | | 1 PLACE ± 2.0 ± 0.50 | | |
| REV. | REVISION | | | DIS | DATE | DWG NO: |
| SCALE | REV. | PAGE: | UNIT | | | |
| 2/1 | A | 1 | mm | THIRD ANGLE PROJECTION | | 8820WV |
| | | | | | | 8820xxWV203 |

10 9 8 7 6 5 4 3 2 1