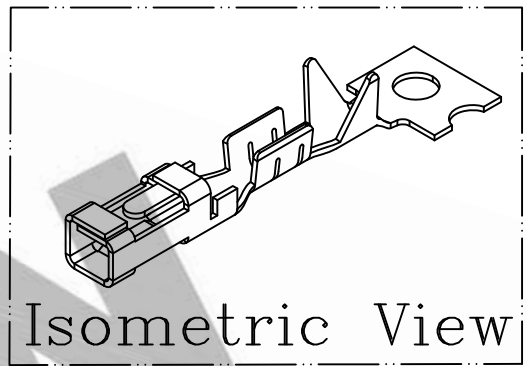
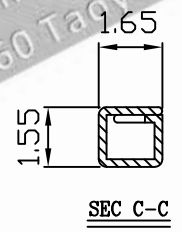
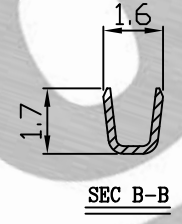
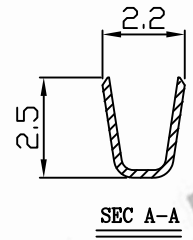
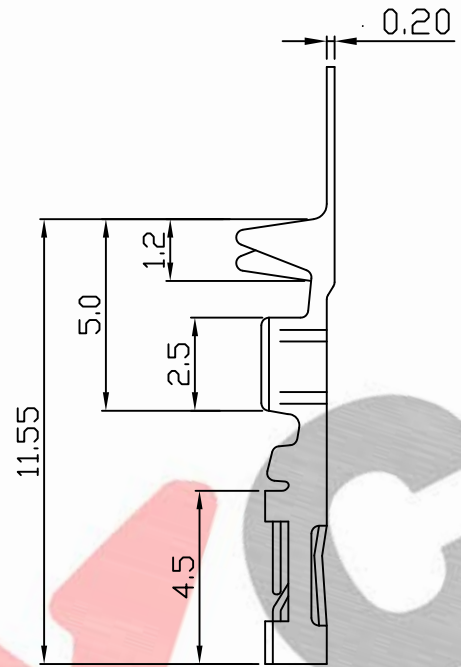
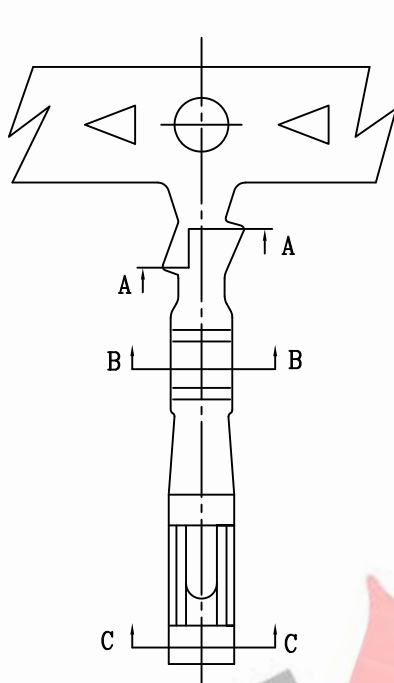


10 9 8 7 6 5 4 3 2 1

PART NO. 882000TC051
 DWG NO. C8820TC

F
 E
 D
 C
 B
 A



NOTE:

- 1. Terminal Material: Brass bronze
- 2. Plated: Tin pre-plated 50u"min.
- △ 3. Current rating: 3A AC/DC
- △ 4. Voltage rating: 250V AC/DC
- △ 5. Withstand voltage: 1000V AC/minute
- △ 6. Insulation resistance: 1000MΩ min
- △ 7. Applicable wires: AWG#30-#24
- △ 8. Insulation O.D.: 0.9~1.5mm
- 9. Q'ty / reel: 10,000pcs

B				NOTE: 1.修改 第7项 AWG#28-#22 → AWG#30-#24 2.修改 第8项 1.2-1.7mm → 0.9-1.5mm 3.新增 第3、4、5、6项及钣厚T0.20	christy	5/26 2015	
REV.	REVISIONI			DIS	DATE		
SCALE	REV.	PAGE:	UNIT	mm			
4/1	B	1/1	THIRD ANGLE	PROJECTION			

UNLESS OTHERWISE SPECIFIED TOLERANCES
 3 PLACE ±0.5 ±0.10
 2 PLACE ±1.5 ±0.25
 1 PLACE ±2.0 ±0.50
 ANGLE DIM

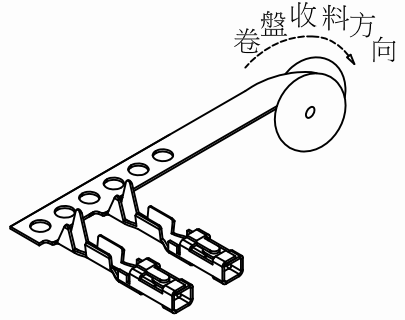
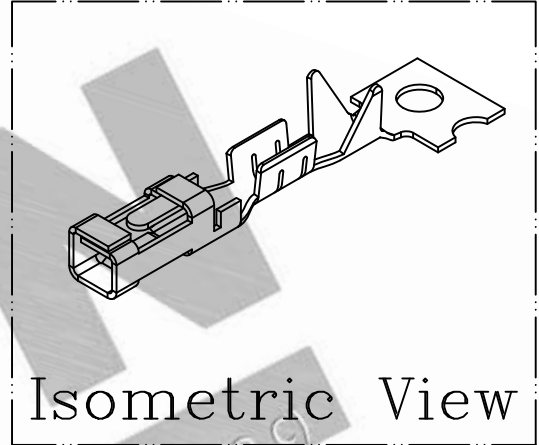
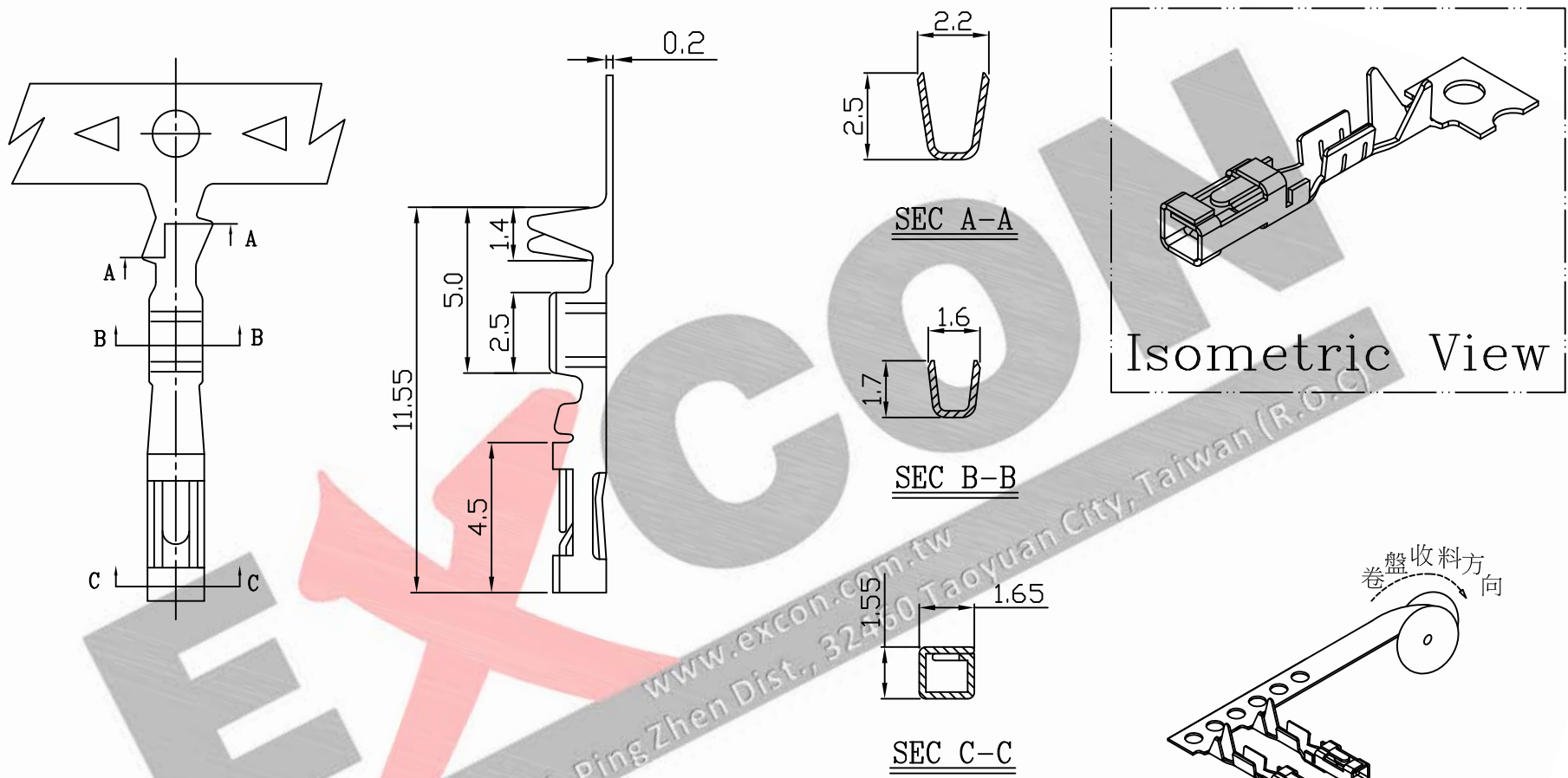


DWG NO:	C8820TC	PART.NO	882000TC051
---------	---------	---------	-------------

10 9 8 7 6 5 4 3 2 1

10 9 8 7 6 5 4 3 2 1

PART NO. 882000TC201
 DWG NO. C8820TC



- NOTE:**
1. Terminal Material: Brass bronze
 2. Plated: gold flash plated
 - △ 3. Current rating: 3A AC/DC
 - △ 4. Voltage rating: 250V AC/DC
 - △ 5. Withstand voltage: 1000V AC/minute
 - △ 6. Insulation resistance: 1000MΩ min
 - △ 7. Applicable wires: AWG#30-#24
 - △ 8. Insulation O.D.: 0.9~1.5mm
 9. Q'ty / reel: 10,000pcs

				UNLESS OTHERWISE SPECIFIED TOLERANCES		EXCON EXCON TECHNOLOGY COMPANY
				3 PLACE ±0.5 ±0.10 2 PLACE ±1.5 ±0.25 1 PLACE ±2.0 ±0.50 ANGLE DIM		
REV.	REVISION			DIS	DATE	
B	DWG RELEASE			Christy	6/28 2016	
SCALE	REV.	PAGE:	UNIT	mm		DWG NO:
4/1	B	1/1	THIRD ANGLE	PROJECTION		C8820TC
						PART.NO
						882000TC201

10 9 8 7 6 5 4 3 2 1