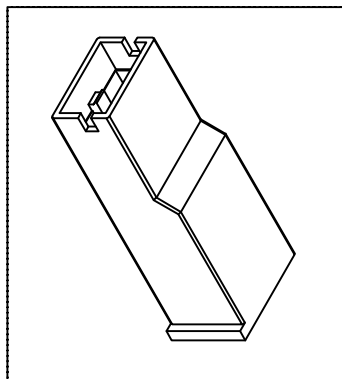
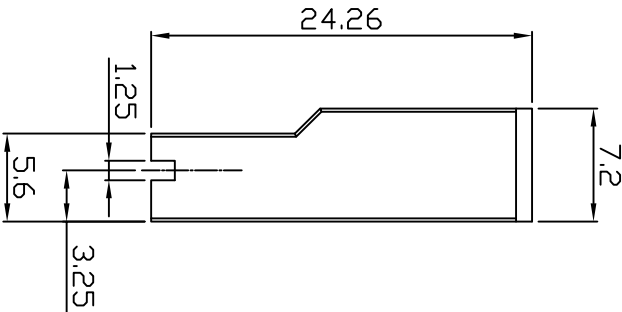
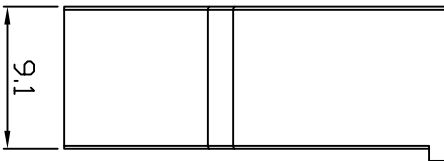
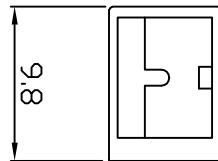




PART NO.
8803xxHA001
DWG NO.
C8803HA



NOTE:

1. Housing Material: Nylon 66 UL 94V-0
2. Insulation resistance: 1000M ohm/min.
3. Withstand voltage: 600V AC/minute.
4. Current rating: 5A AC/DC.

REV.	REV.	REVISION	UNIT	DIS	DATE	UNLESS OTHERWISE SPECIFIED TOLERANCES	EXCON TECHNOLOGY COMPANY
						3 PLACE ±0.5 ±0.10	 EXCON TECHNOLOGY COMPANY
						2 PLACE ±1.5 ±0.35	
						1 PLACE ±2.0 ±0.50	
SCALE	REV.	PAGE:	UNIT	THIRD ANGLE PROJECTION		DWG NO:	PART NO
5/1	A	1	mm			C8803HA	8803xxHA001

