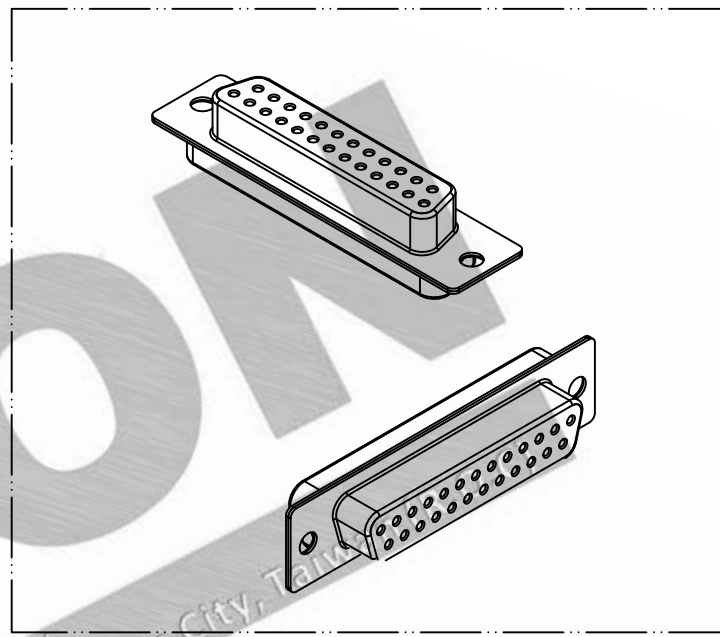
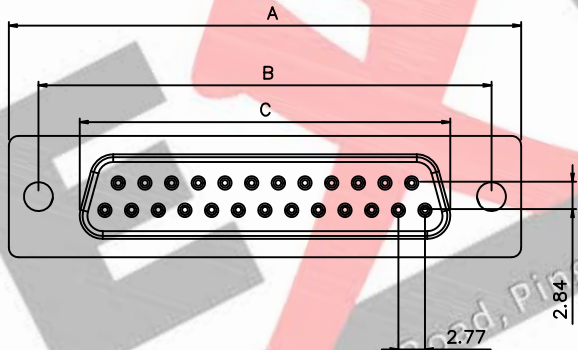
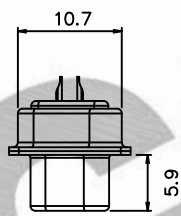
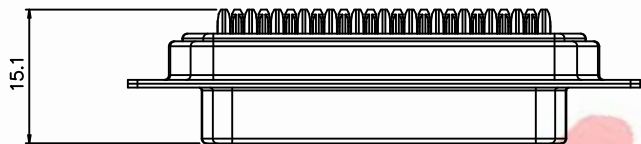
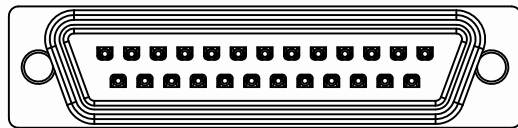


PART NO. 8202xxSF001
 DWG NO. C8202SF



Dimensional & Ordering Information:

Part No.	POS	A	B	C
820209SF002	09	30.81	24.99	16.30
820215SF002	15	39.14	33.32	24.66
820225SF002	25	53.04	47.04	38.38
820237SF002	37	69.32	63.05	54.84

NOTE:

1. Wafer Material: PBT UL94V-0
Pin/Pos Material: brass bronze.
2. Plated: Tin-plated 50u"min.
3. Insulation resistance: 1000M ohm/min.
4. Withstand voltage: 1000V AC/minute.
5. Current retang: 3A AC/DC.
6. Voltage rating: 250V AC/DC

				UNLESS OTHERWISE SPECIFIED TOLERANCES		EXCON EXCON TECHNOLOGY COMPANY
				3 PLACE ±0.5 ±0.10 2 PLACE ±1.5 ±0.35 1 PLACE ±2.0 ±0.50		
REV.	REVISIONI			DIS	DATE	PART.NO
SCALE	REV.	PAGE:	UNIT	mm		
1/1	A	2	THIRD ANGLE PROJECTION			8202xxSF001
					DWG NO:	C8202SF