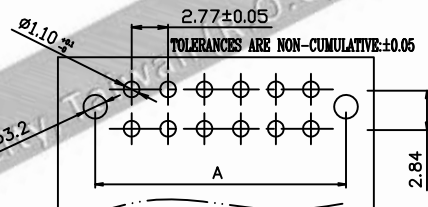
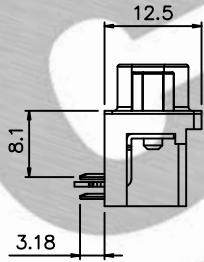
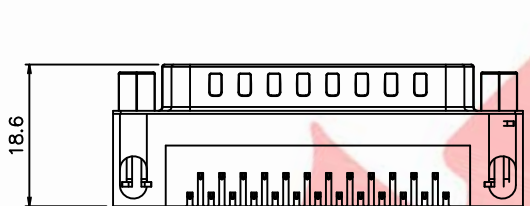
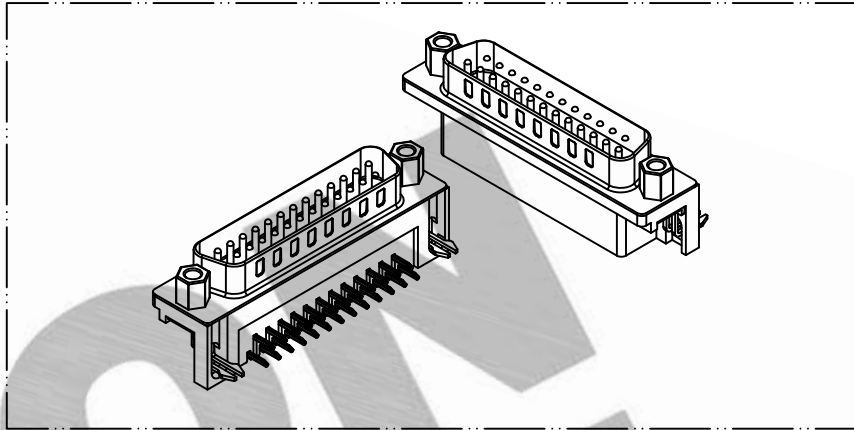
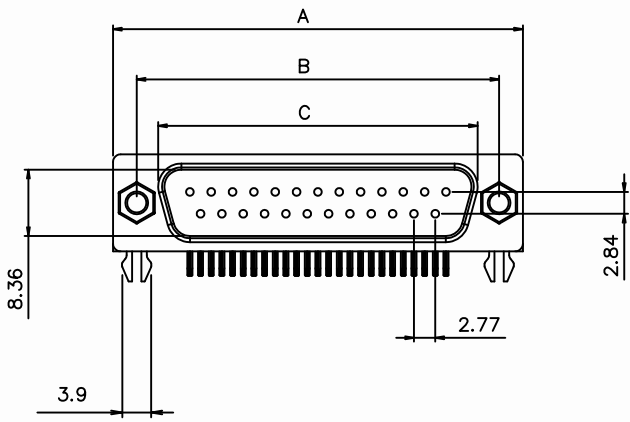


10 9 8 7 6 5 4 3 2 1

PART NO. 8201xxPM002
 DWG NO. C8201PM



RECOMMENDED PCB LAYOUT
 (PCB THK=1.0-1.6)

Dimensional & Ordering Information:

Part No.	POS	A	B	C
820109PM002	09	30.81	24.99	16.92
820115PM002	15	39.14	33.32	25.25
820125PM002	25	53.04	47.04	38.96
820137PM002	37	69.32	63.50	55.42

NOTE:

1. Wafer Material: PBT UL94V-0
Pin/Pos Material:
2. Plated: Tin-plated 50u"min.
3. Insulation resistance: 1000M ohm/min.
4. Withstand voltage: 1000V AC/minute.
5. Current retang: 3A AC/DC.
6. Voltage rating: 250V AC/DC

				UNLESS OTHERWISE SPECIFIED TOLERANCES		EXCON EXCON TECHNOLOGY COMPANY
				3 PLACE ±0.5 ±0.10		
				2 PLACE ±1.5 ±0.35		
				1 PLACE ±2.0 ±0.50		PART.NO
				ANGLE DIM		
REV.	REVISIONI			DIS	DATE	PART.NO
SCALE	REV.	PAGE:	UNIT	mm		
1/1	A	2	THIRD ANGLE PROJECTION			8201xxPM002
				DWG NO:		
				C8201PM		

10 9 8 7 6 5 4 3 2 1