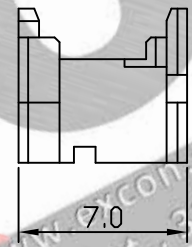
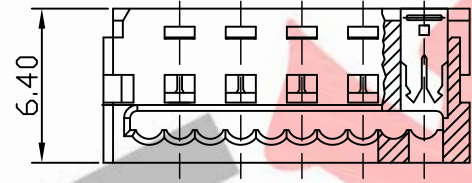
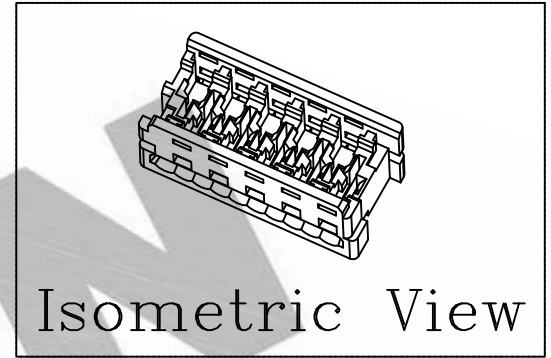
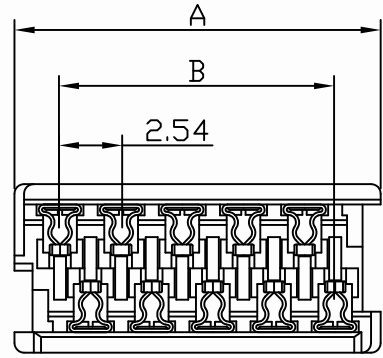


PART NO. 7807xxHA201G
 DWG NO. C7807HA



Part No.	Circuits	Dim A	Dim B
780704HA201G	4	7.59	3.81
780706HA201G	6	10.13	6.35
780708HA201G	8	12.67	8.89
780710HA201G	10	15.21	11.43
780712HA201G	12	17.75	13.97
780714HA201G	14	20.29	16.51
780716HA201G	16	22.83	19.05
780718HA201G	18	25.37	21.59
780720HA201G	20	27.91	24.13
780722HA201G	22	30.45	26.67
780724HA201G	24	32.99	29.21
780726HA201G	26	35.53	31.75

NOTE:

1. Wafer Material: PBT 94V-0
Pin/Pos Material: Phosphor bronze.
2. Plated: Gold, flash 0.05um
3. Insulation resistance: 1000MΩ min.
4. Withstand voltage: 1000V AC/minute.
5. Current rating: 1A AC/DC.
6. Voltage rating: 250V AC/DC
7. Applicable wires: AWG#26 ~ #28
8. Color: Natural

A		DWG RELEASE		Christy	5/30 2016
REV.	REVISION			DIS	DATE
SCALE	REV.	PAGE:	UNIT	MM	
3/1	A	1/1	THIRD ANGLE	PROJECTION	

UNLESS OTHERWISE SPECIFIED TOLERANCES
 3 PLACE ±0.5 ±0.10
 2 PLACE ±1.5 ±0.25
 1 PLACE ±2.0 ±0.50
 ANGLE DIM

EXCON
 EXCON TECHNOLOGY COMPANY

DWG NO: C7807HA
 PART.NO 7807xxHA201G