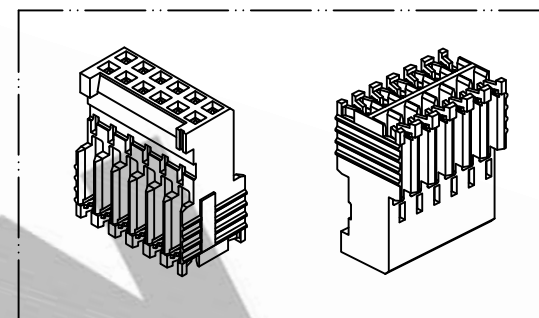
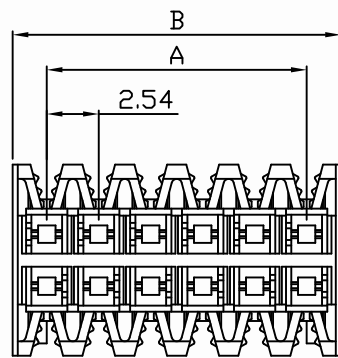


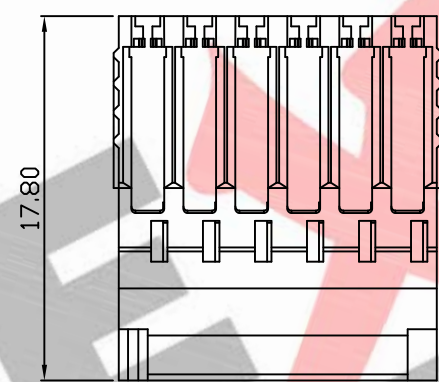
10 9 8 7 6 5 4 3 2 1

PART NO. 7806xxHA209
 DWG NO. C7806HA



Ordering Information and Dimensions:

Part No.	Circuits	Dim A	Dim B
780602HA209	4	2.54	5.98
780603HA209	6	5.08	8.52
780604HA209	8	7.62	11.06
780605HA209	10	10.16	13.60
780606HA209	12	12.70	16.14
780607HA209	14	15.24	18.68
780608HA209	16	17.78	21.22
780609HA209	18	20.32	23.76
780610HA209	20	22.86	26.30
780611HA209	22	25.40	28.84
780612HA209	24	27.94	31.38
780613HA209	26	30.48	33.92
780614HA209	28	33.02	36.46
780615HA209	30	35.56	39.00
780616HA209	32	38.10	41.54
780618HA209	34	40.64	44.08
780618HA209	36	45.72	46.62
780618HA209	38	48.26	49.16
780618HA209	40	50.80	51.70



NOTE:

1. Housing Material:PBT UL94V-0
2. Color: Bule
3. Insulation resistance: 1000M ohm/min.
4. Withstand voltage: 1500V AC/minute.
5. Current retang: 3A AC/DC.
7. Voltage rating: 250V AC/DC
8. Use wire: AWG 24~26

				UNLESS OTHERWISE SPECIFIED TOLERANCES	
				3 PLACE ±0.5 ±0.10	
				2 PLACE ±1.5 ±0.25	
				1 PLACE ±2.0 ±0.50	
				ANGLE DIM	
REV.	REVISIONI			DIS	DATE
SCALE	REV.	PAGE:	UNIT	mm	
4/1	A	1	THIRD ANGLE PROJECTION		
				DWG NO: C7806HA	

EXCON

EXCON TECHNOLOGY COMPANY

PART.NO 7806xxHA209

E
D
C
B
A

F
E
D
C
B
A

10 9 8 7 6 5 4 3 2 1