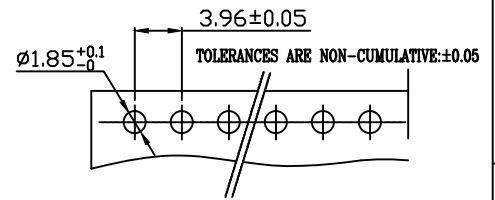
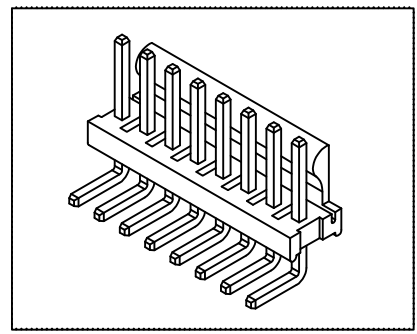
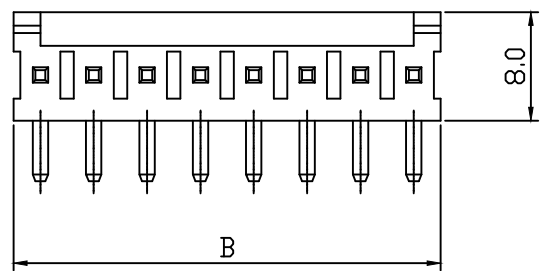


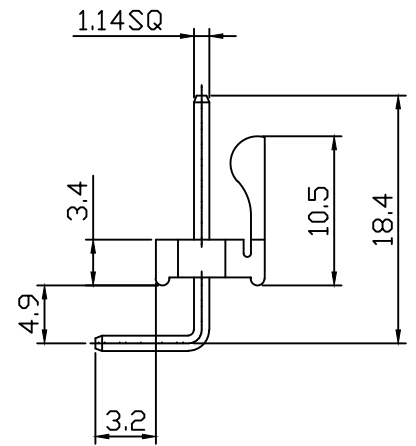
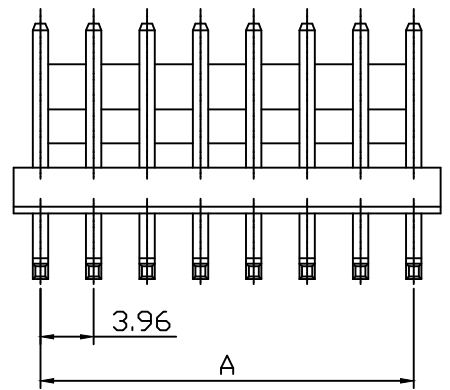
PART NO. 7805xxWB001
 DWG NO. C7805WB



RECOMMENDED PCB LAYOUT
 (PCB THK=1.0~1.6)

Dimensional & Ordering Information:

Part No.	Circuits	Dim A	Dim B
780502WB001	2	3.96	7.92
780503WB001	3	7.92	11.88
780504WB001	4	11.88	15.84
780505WB001	5	15.84	19.80
780506WB001	6	19.80	23.76
780507WB001	7	23.76	27.72
780508WB001	8	27.72	31.68
780509WB001	9	31.68	35.64
780010WB001	10	35.64	39.60
780011WB001	11	39.60	43.56
780012WB001	12	43.56	47.52
780013WB001	13	47.52	51.48
780014WB001	14	51.48	55.44
780015WB001	15	55.44	59.40
780016WB001	16	59.40	63.36
780017WB001	17	63.36	67.32
780018WB001	18	67.32	71.28
780019WB001	19	71.28	75.24
780520WB001	20	75.24	79.20
780521WB001	21	79.20	83.16
780522WB001	22	83.16	87.12
780523WB001	23	87.12	91.08
780524WB001	24	91.08	95.04



NOTE:

- Housing Material: Nylon 66 UL94V0
Pin/Pos Material: brass bronze.
- Plated: Tin-plated 50u"min.
- Withstand voltage: 1500V AC/minute.
- Current rating: 5A AC/DC.
- Voltage rating: 250V AC/DC
- Color: Natural

				UNLESS OTHERWISE SPECIFIED TOLERANCES		 EXCON TECHNOLOGY COMPANY
				3 PLACE ±0.5 ±0.10		
				2 PLACE ±1.5 ±0.35		PART.NO
				1 PLACE ±2.0 ±0.50		
				ANGLE DIM		7805xxWB001
REV.	REVISION		DIS	DATE		
SCALE	REV.	PAGE	UNIT	mm		DWG NO:
4/1	A	1	THIRD ANGLE PROJECTION			C7805WB