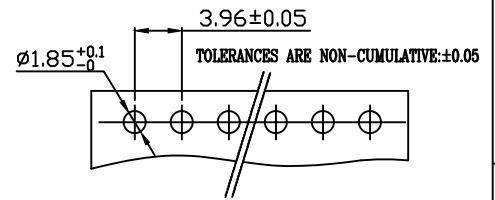
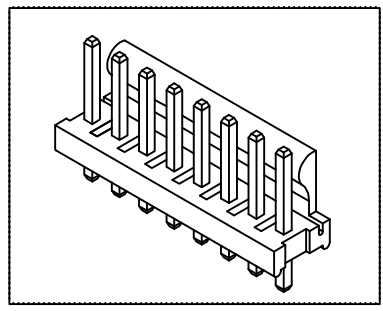
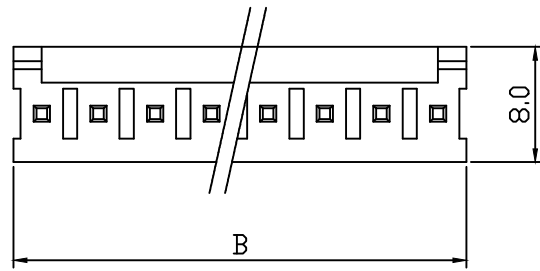


10 9 8 7 6 5 4 3 2 1

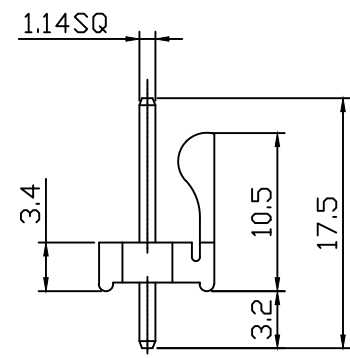
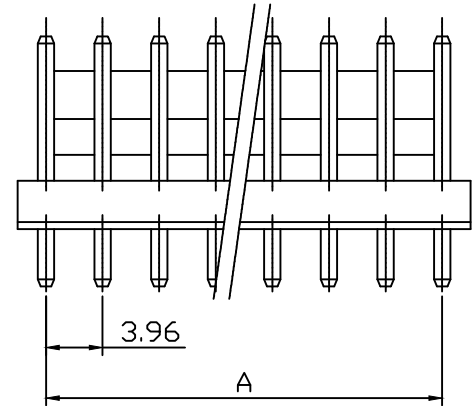
PART NO. 7805xxWA001  
 DWG NO. C7805WA



RECOMMENDED PCB LAYOUT  
 (PCB THK=1.0~1.6)

Dimensional & Ordering Information:

Part No.	Circuits	Dim A	Dim B
780502WA001	2	3.96	7.92
780503WA001	3	7.92	11.88
780504WA001	4	11.88	15.84
780505WA001	5	15.84	19.80
780506WA001	6	19.80	23.76
780507WA001	7	23.76	27.72
780508WA001	8	27.72	31.68
780509WA001	9	31.68	35.64
780010WA001	10	35.64	39.60
780011WA001	11	39.60	43.56
780012WA001	12	43.56	47.52
780013WA001	13	47.52	51.48
780014WA001	14	51.48	55.44
780015WA001	15	55.44	59.40
780016WA001	16	59.40	63.36
780017WA001	17	63.36	67.32
780018WA001	18	67.32	71.28
780019WA001	19	71.28	75.24
780520WA001	20	75.24	79.20
780521WA001	21	79.20	83.16
780522WA001	22	83.16	87.12
780523WA001	23	87.12	91.08
780524WA001	24	91.08	95.04



NOTE:

- Housing Material: Nylon 66 UL94V0  
Pin/Pos Material: brass bronze.
- Plated: Tin-plated 50u"min.
- Insulation resistance: 1000MΩ min.
- Withstand voltage: 1500V AC/minute.
- Current rating: 5A AC/DC.
- Voltage rating: 250V AC/DC

UNLESS OTHERWISE SPECIFIED TOLERANCES						
3 PLACE ±0.5 ±0.10						
2 PLACE ±1.5 ±0.35						
1 PLACE ±2.0 ±0.50						
REV.	REVISION		DIS	DATE	ANGLE DIM	
SCALE	REV.	PAGE	UNIT	mm	DWG NO:	PART.NO
4/1	A	1	THIRD ANGLE PROJECTION		C7805WA	7805xxWA001

10 9 8 7 6 5 4 3 2 1