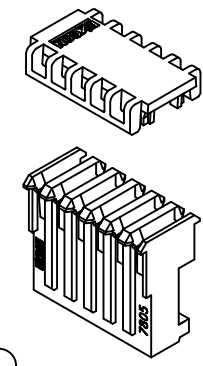
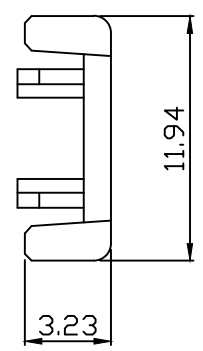
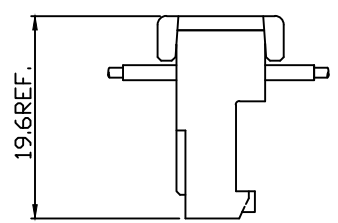
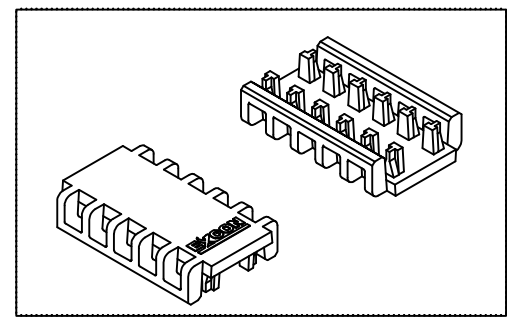
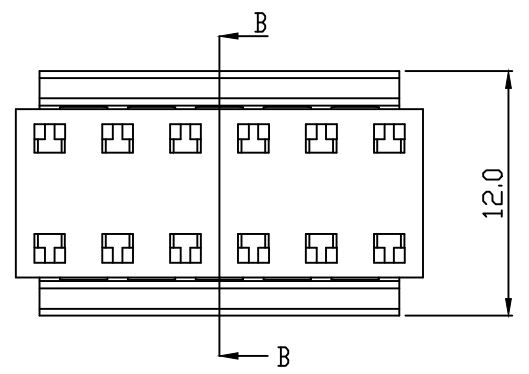
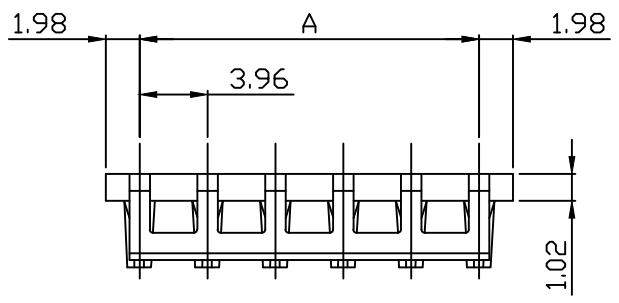


PART NO. 7805xxLA051  
 DWG NO. C7805LA



SEC B-B

Dimensional & Ordering Information:

Part No.	Circuits	Dim A
780502LA051	2	3.96
780503LA051	3	7.92
780504LA051	4	11.88
780505LA051	5	15.84
780506LA051	6	19.80
780507LA051	7	23.76
780508LA051	8	27.72
780509LA051	9	31.68
780510LA051	10	35.64
780511LA051	11	39.60
780512LA051	12	43.56
780513LA051	13	47.52
780514LA051	14	51.48
780515LA051	15	55.44
780516LA051	16	59.40
780517LA051	17	63.36
780518LA051	18	67.32
780519LA051	19	71.28
780520LA051	20	75.24
780521LA051	21	79.20
780522LA051	22	83.16
780523LA051	23	87.12
780524LA051	24	91.08

NOTE:

- Housing Material: Nylon 66 UL94V2
- Color: Natural
- Withstand voltage: 1500V AC/minute.
- Current rating: 5A AC/DC.
- Voltage rating: 250V AC/DC

UNLESS OTHERWISE SPECIFIED TOLERANCES  
 3 PLACE ±0.5 ±0.10  
 2 PLACE ±1.5 ±0.35  
 1 PLACE ±2.0 ±0.50  
 ANGLE DIM



REV.	REVISION	DIS	DATE
SCALE	REV.	PAGE	UNIT
4/1	A	1	mm

DWG NO: C7805LA

PART.NO: 7805xxLA051

