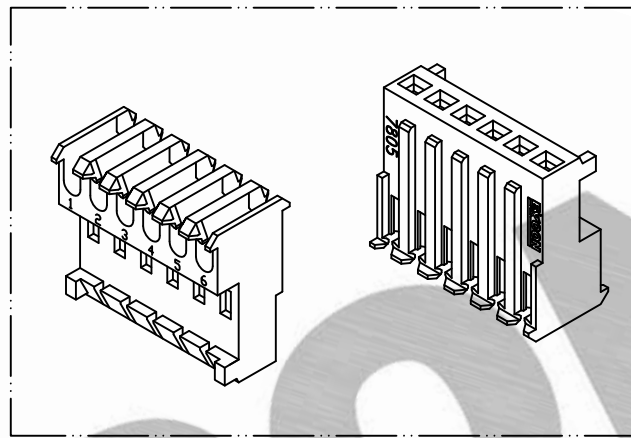
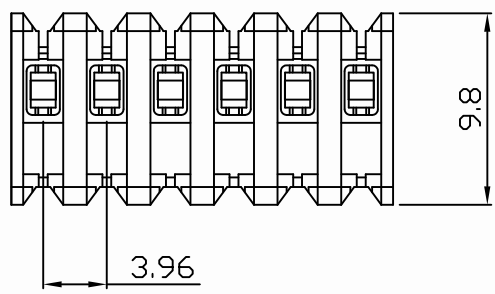
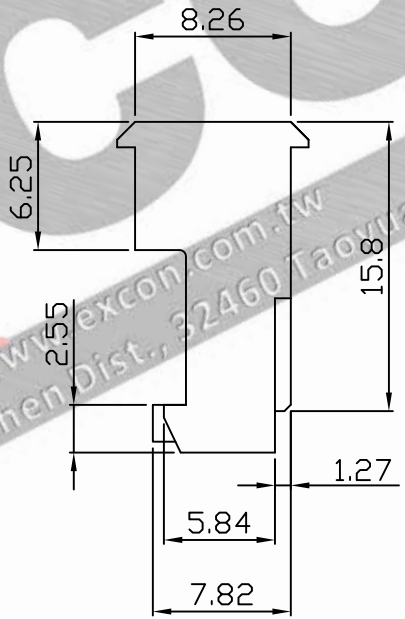
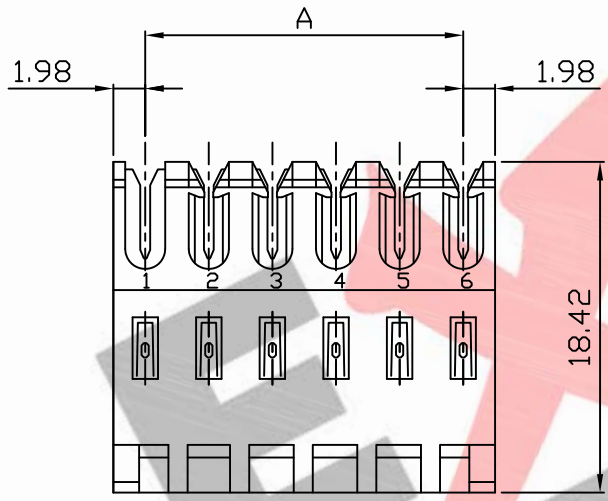


PART NO. 7805xxHBxxx
 DWG NO. C7805HB



Dimensional & Ordering Information:

Part No.	Circuits	Dim A
780502HBxxx	2	3.96
780503HBxxx	3	7.92
780504HBxxx	4	11.88
780505HBxxx	5	15.84
780506HBxxx	6	19.80
780507HBxxx	7	23.76
780508HBxxx	8	27.72
780509HBxxx	9	31.68
780510HBxxx	10	35.64
780511HBxxx	11	39.60
780512HBxxx	12	43.56
780513HBxxx	13	47.52
780514HBxxx	14	51.48
780515HBxxx	15	55.44
780516HBxxx	16	59.40
780517HBxxx	17	63.36
780518HBxxx	18	67.32
780519HBxxx	19	71.28
780520HBxxx	20	75.24
780521HBxxx	21	79.20
780522HBxxx	22	83.16
780523HBxxx	23	87.12
780524HBxxx	24	91.08



- NOTE:
- Housing Material: Nylon 66 UL94V2
 - Color: Δ See table
 - Withstand voltage: 1500V AC/minute.
 - Plated: Tin 50u" min
 - Current rating: 5A AC/DC.
 - Voltage rating: 250V AC/DC

Color	AWG	Part NO
Δ Blue	26	7805xxHB059
Δ White	24	7805xxHB001
Δ Red	22	7805xxHB055
Δ Yellow	20	7805xxHB057
Δ Orange	18	7805xxHB056

REV.	REVISIONI	DIS	DATE
SCALE	REV.	PAGE:	UNIT
4/1	A	1	mm

UNLESS OTHERWISE SPECIFIED TOLERANCES
 3 PLACE $\pm 0.5 \pm 0.10$
 2 PLACE $\pm 1.5 \pm 0.25$
 1 PLACE $\pm 2.0 \pm 0.50$
 ANGLE DIM

DWG NO: C7805HB

EXCON
 EXCON TECHNOLOGY COMPANY

PART.NO: 7805xxHBxxx

