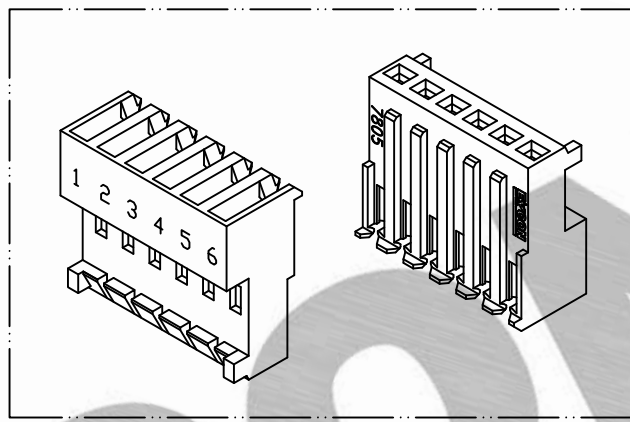
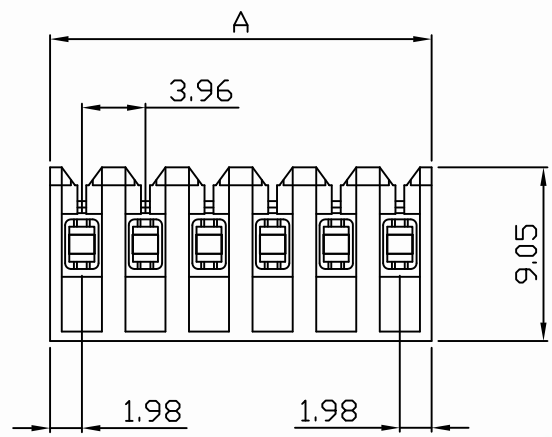
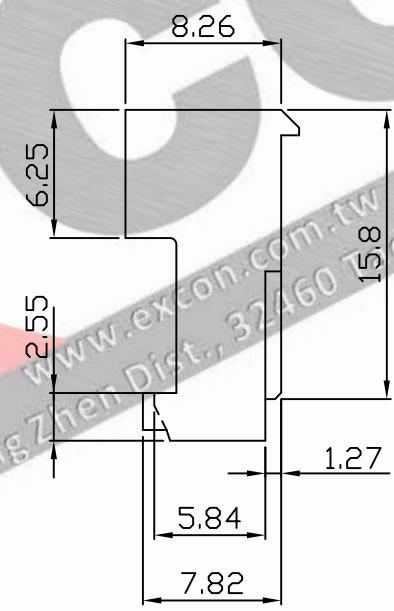
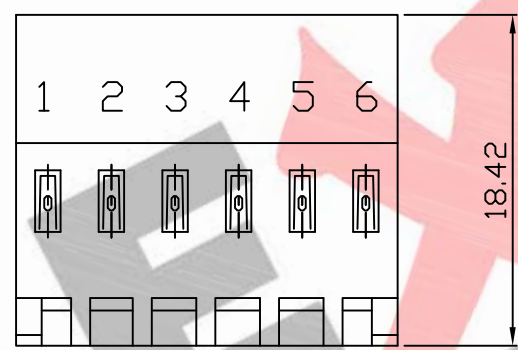


PART NO. 7805xxHAxxx
 DWG NO. C7805HA



Dimensional & Ordering Information:

Part No.	Circuits	Dim A
780502HAxxx	2	3.96
780503HAxxx	3	7.92
780504HAxxx	4	11.88
780505HAxxx	5	15.84
780506HAxxx	6	19.80
780507HAxxx	7	23.76
780508HAxxx	8	27.72
780509HAxxx	9	31.68
780510HAxxx	10	35.64
780511HAxxx	11	39.60
780512HAxxx	12	43.56
780513HAxxx	13	47.52
780514HAxxx	14	51.48
780515HAxxx	15	55.44
780516HAxxx	16	59.40
780517HAxxx	17	63.36
780518HAxxx	18	67.32
780519HAxxx	19	71.28
780520HAxxx	20	75.24
780521HAxxx	21	79.20
780522HAxxx	22	83.16
780523HAxxx	23	87.12
780524HAxxx	24	91.08



- NOTE:
- Housing Material: Nylon 66 UL94V2
 - Color: Δ See table
 - Withstand voltage: 1500V AC/minute.
 - Plated: Tin 50u" min
 - Current rating: 5A AC/DC.
 - Voltage rating: 250V AC/DC

Color	AWG	Part NO
Δ Blue	26	7805xxHA059
Δ White	24	7805xxHA001
Δ Red	22	7805xxHA055
Δ Yellow	20	7805xxHA057
Δ Orange	18	7805xxHA056

REV.	REVISION	DIS	DATE
SCALE	REV.	PAGE:	UNIT
4/1	A	1	mm

UNLESS OTHERWISE SPECIFIED TOLERANCES
 3 PLACE $\pm 0.5 \pm 0.10$
 2 PLACE $\pm 1.5 \pm 0.25$
 1 PLACE $\pm 2.0 \pm 0.50$
 ANGLE DIM

DWG NO: C7805HA

EXCON
 EXCON TECHNOLOGY COMPANY

PART.NO: 7805xxHAxxx