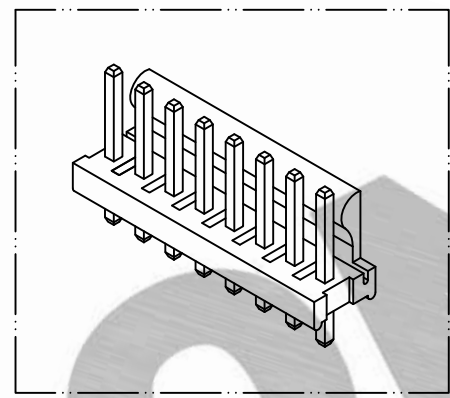
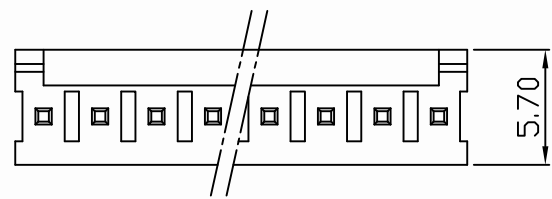
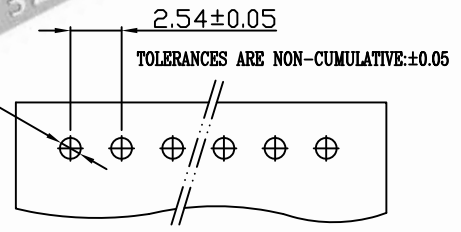
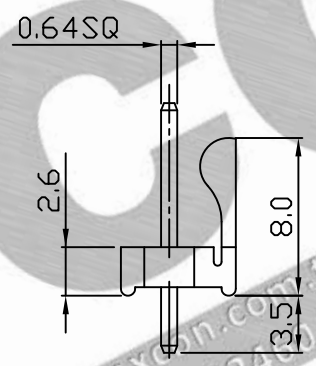
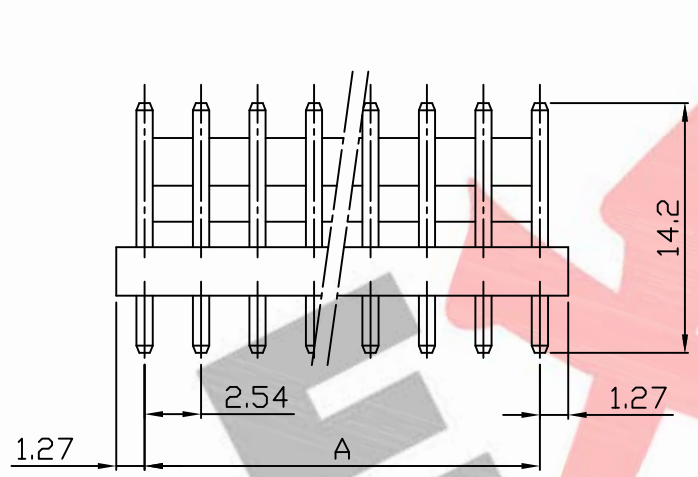


PART NO. 7804xxWV001
 DWG NO. C7804WV



Dimensional & Ordering Information:

Part No.	Circuits	Dim A
780402WV001	2	2.54
780403WV001	3	5.08
780404WV001	4	7.62
780405WV001	5	10.16
780406WV001	6	12.70
780407WV001	7	15.24
780408WV001	8	17.78
780409WV001	9	20.32
780410WV001	10	22.86
780411WV001	11	25.40
780412WV001	12	27.94
780413WV001	13	30.48
780414WV001	14	33.02
780415WV001	15	35.56
780416WV001	16	38.10
780417WV001	17	40.64
780418WV001	18	43.18
780419WV001	19	45.72
780420WV001	20	48.26
780421WV001	21	50.80
780422WV001	22	53.34
780423WV001	23	55.88
780424WV001	24	58.42
780425WV001	25	60.96
780426WV001	26	63.50
780427WV001	27	66.04
780428WV001	28	68.58



NOTE:

1. Housing Material: Nylon 66 UL94V0
Pin/Pos Material: brass bronze.
2. Plated: Tin-plated 50u"min.
2. Color: Natural
3. Withstand voltage: 1500V AC/minute.
4. Current rating: 3A AC/DC.
5. Voltage rating: 250V AC/DC

				UNLESS OTHERWISE SPECIFIED TOLERANCES	
				3 PLACE ±0.5 ±0.10	
				2 PLACE ±1.5 ±0.25	
				1 PLACE ±2.0 ±0.50	
				ANGLE DIM	
REV.	REVISIONI		DIS	DATE	
SCALE	REV.	PAGE:	UNIT	MM	
5/1	A	1	THIRD ANGLE PROJECTION	C7804WV	

EXCON
 EXCON TECHNOLOGY COMPANY

PART.NO
 7804xxWV001