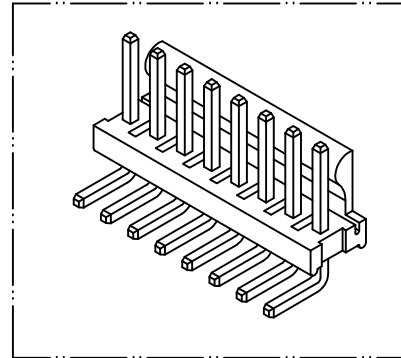
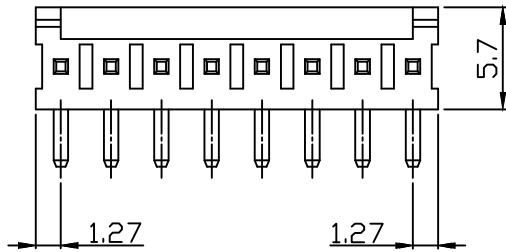
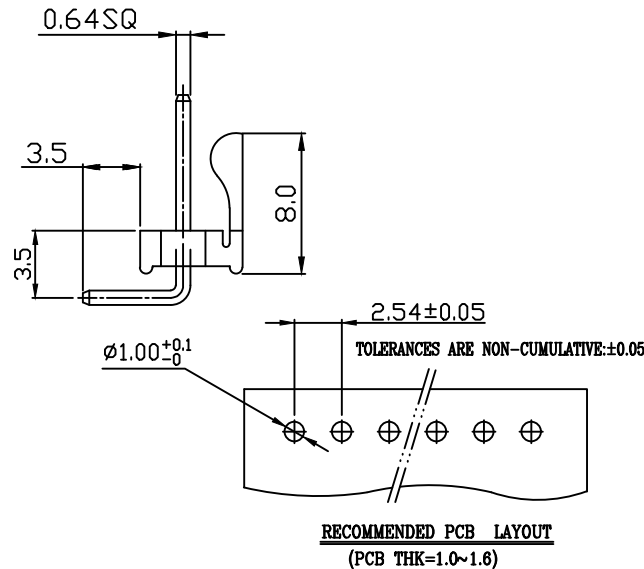
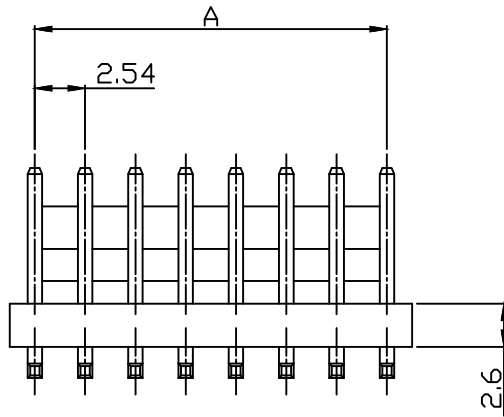


PART NO. 7804xxWR001
 DWG NO. C7804WR



Dimensional & Ordering Information:

Part No.	Circuits	Dim A
780402WR001	2	2.54
780403WR001	3	5.08
780404WR001	4	7.62
780405WR001	5	10.16
780406WR001	6	12.70
780407WR001	7	15.24
780408WR001	8	17.78
780409WR001	9	20.32
780410WR001	10	22.86
780411WR001	11	25.40
780412WR001	12	27.94
780413WR001	13	30.48
780414WR001	14	33.02
780415WR001	15	35.56
780416WR001	16	38.10
780417WR001	17	40.64
780418WR001	18	43.18
780419WR001	19	45.72
780420WR001	20	48.26
780421WR001	21	50.80
780422WR001	22	53.34
780423WR001	23	55.88
780424WR001	24	58.42
780425WR001	25	60.96
780426WR001	26	63.50
780427WR001	27	66.04
780428WR001	28	68.58



NOTE:

- Housing Material: Nylon 66 UL94V0
Pin/Pos Material: brass bronze.
- Plated: Tin-plated 50u"min.
- Color: Natural
- Withstand voltage: 1500V AC/minute.
- Current rating: 3A AC/DC.
- Voltage rating: 250V AC/DC

REV.	REVISION	DIS	DATE
5/1	A	1	

UNLESS OTHERWISE SPECIFIED TOLERANCES
 3 PLACE ±0.5 ±0.10
 2 PLACE ±1.5 ±0.25
 1 PLACE ±2.0 ±0.50
 ANGLE DIM

SCALE: DWG NO: C7804WR

UNIT: mm

THIRD ANGLE PROJECTION

EXCON
 EXCON TECHNOLOGY COMPANY

PART.NO: 7804xxWR001