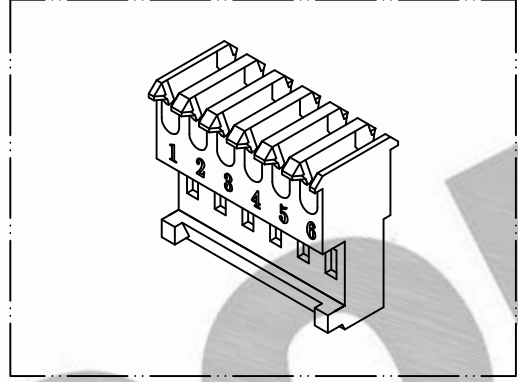
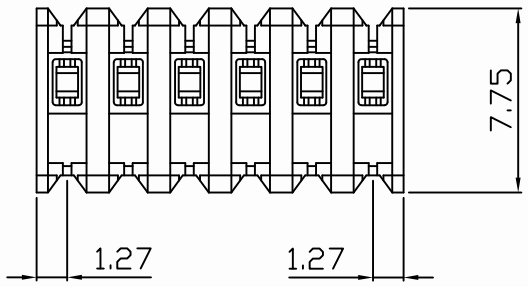


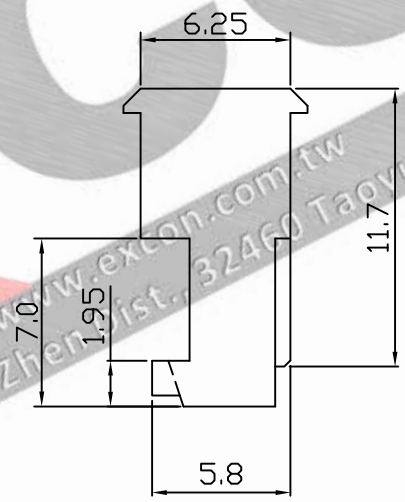
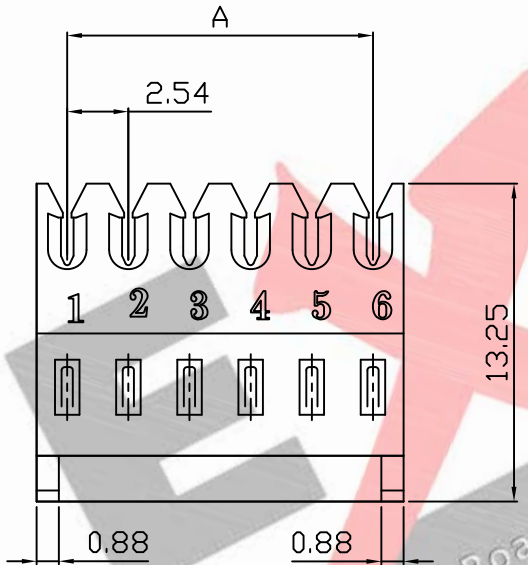
10 9 8 7 6 5 4 3 2 1

PART NO. 7804xxHBxxx  
 DWG NO. C7804HB



Dimensional & Ordering Information:

Part No.	Circuits	Dim A
780402HBxxx	2	2.54
780403HBxxx	3	5.08
780404HBxxx	4	7.62
780405HBxxx	5	10.16
780406HBxxx	6	12.70
780407HBxxx	7	15.24
780408HBxxx	8	17.78
780409HBxxx	9	20.32
780410HBxxx	10	22.86
780411HBxxx	11	25.40
780412HBxxx	12	27.94
780413HBxxx	13	30.48
780414HBxxx	14	33.02
780415HBxxx	15	35.56
780416HBxxx	16	38.10
780417HBxxx	17	40.64
780418HBxxx	18	43.18
780419HBxxx	19	45.72
780420HBxxx	20	48.26
780421HBxxx	21	50.80
780422HBxxx	22	53.34
780423HBxxx	23	55.88
780424HBxxx	24	58.42
780425HBxxx	25	60.96
780426HBxxx	26	63.50
780427HBxxx	27	66.04
780428HBxxx	28	68.58



- NOTE:
1. Housing Material: Nylon 66 UL94V2
  2. Color:  $\triangle$  See table
  3. Withstand voltage: 1500V AC/minute.
  4. Plated: Tin 50u" min
  5. Current rating: 3A AC/DC.
  6. Voltage rating: 250V AC/DC

Color	AWG	Part NO
$\triangle$ Green	28	7804xxHB058
$\triangle$ Blue	26	7804xxHB059
$\triangle$ White	24	7804xxHB001
$\triangle$ Red	22	7804xxHB055

UNLESS OTHERWISE SPECIFIED TOLERANCES			
3 PLACE $\pm 0.5$ $\pm 0.10$			
2 PLACE $\pm 1.5$ $\pm 0.25$			
1 PLACE $\pm 2.0$ $\pm 0.50$			
ANGLE DIM			
REV.	REVISIONI		DIS DATE
SCALE	REV.	PAGE:	UNIT mm
3/1	A	1	THIRD ANGLE PROJECTION

**EXCON**

EXCON TECHNOLOGY COMPANY

---

PART.NO

7804xxHBxxx

10 9 8 7 6 5 4 3 2 1