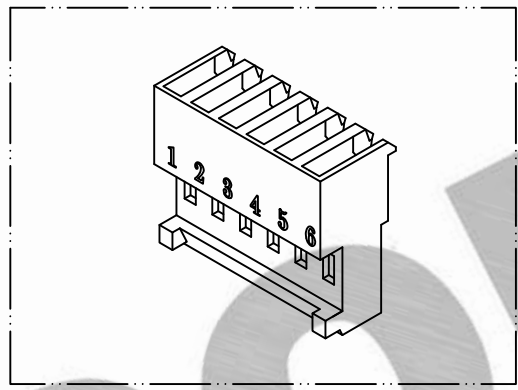
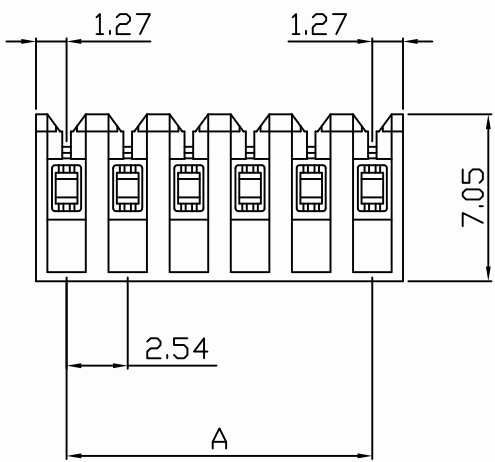
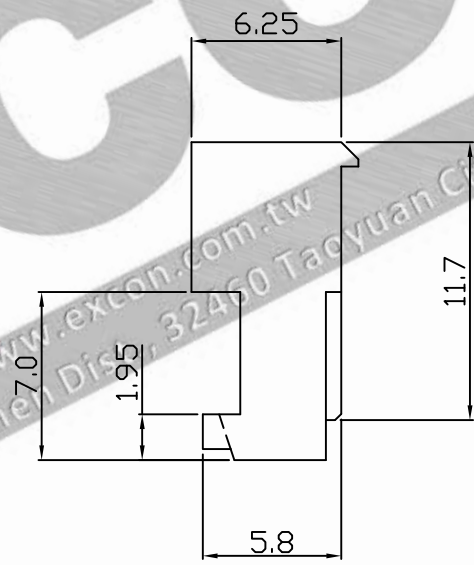
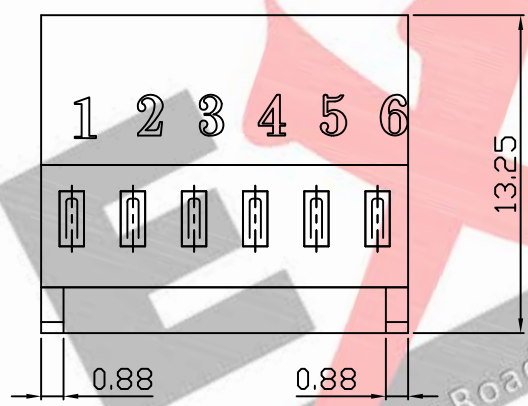


PART NO. 7804xxHAxxx  
 DWG NO. C7804HA



Dimensional & Ordering Information:

Part No.	Circuits	Dim A
780402HA xxx	2	2.54
780403HA xxx	3	5.08
780404HA xxx	4	7.62
780405HA xxx	5	10.16
780406HA xxx	6	12.70
780407HA xxx	7	15.24
780408HA xxx	8	17.78
780409HA xxx	9	20.32
780410HA xxx	10	22.86
780411HA xxx	11	25.40
780412HA xxx	12	27.94
780413HA xxx	13	30.48
780414HA xxx	14	33.02
780415HA xxx	15	35.56
780416HA xxx	16	38.10
780417HA xxx	17	40.64
780418HA xxx	18	43.18
780419HA xxx	19	45.72
780420HA xxx	20	48.26
780421HA xxx	21	50.80
780422HA xxx	22	53.34
780423HA xxx	23	55.88
780424HA xxx	24	58.42
780425HA xxx	25	60.96
780426HA xxx	26	63.50
780427HA xxx	27	66.04
780428HA xxx	28	68.58



- NOTE:
- Housing Material: Nylon 66 UL94V2
  - Color:  $\triangle$  See table
  - Withstand voltage: 1500V AC/minute.
  - Plated: Tin 50u" min
  - Current rating: 3A AC/DC.
  - Voltage rating: 250V AC/DC

Color	AWG	Part NO
$\triangle$ Green	28	7804xxHA058
$\triangle$ Blue	26	7804xxHA059
$\triangle$ White	24	7804xxHA001
$\triangle$ Red	22	7804xxHA055

UNLESS OTHERWISE SPECIFIED TOLERANCES			
3 PLACE $\pm 0.5 \pm 0.10$			
2 PLACE $\pm 1.5 \pm 0.25$			
1 PLACE $\pm 2.0 \pm 0.50$			
ANGLE DIM			
REV.	REVISIONI		DIS DATE
SCALE	REV.	PAGE:	UNIT mm
3/1	A	1	THIRD ANGLE PROJECTION
DWG NO:			C7804HA

**EXCON**

EXCON TECHNOLOGY COMPANY

PART.NO  
7804xxHAxxx