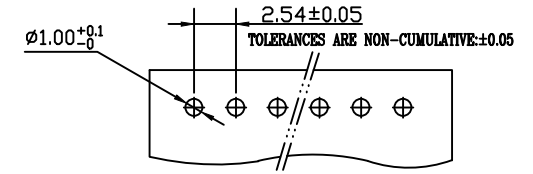
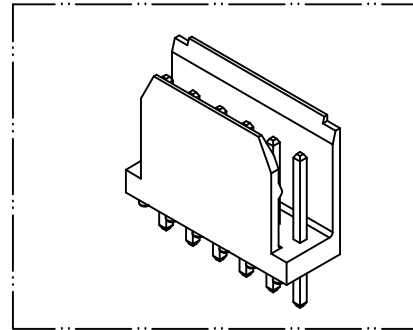
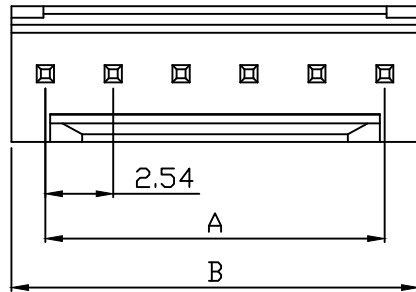
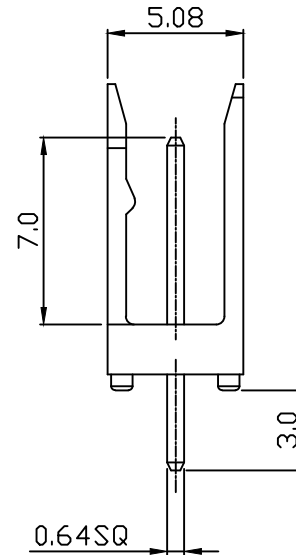
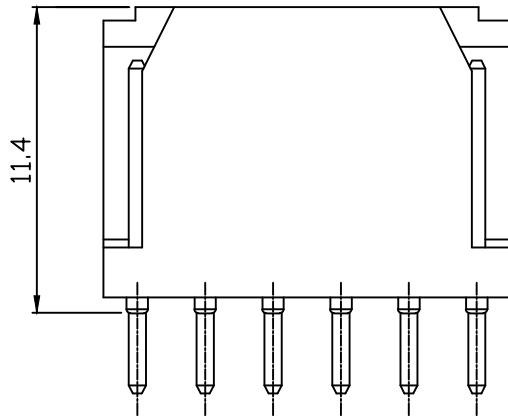


PART NO. 7803xxWV051
 DWG NO. C7803WV



RECOMMENDED PCB LAYOUT
 (PCB THK=1.0~1.6)



Dimensional & Ordering Information:

Part No.	Circuits	Dim A	Dim B
780302WV051	2	2.54	5.08
780303WV051	3	5.08	7.62
780304WV051	4	7.62	10.16
780305WV051	5	10.16	12.70
780306WV051	6	12.70	15.24
780307WV051	7	15.24	17.78
780308WV051	8	17.78	20.32
780309WV051	9	20.32	22.86
780310WV051	10	22.86	25.40
780311WV051	11	25.40	27.94
780312WV051	12	27.94	30.48
780313WV051	13	30.48	33.02
780314WV051	14	33.02	35.56
780315WV051	15	35.56	38.10
780316WV051	16	38.10	40.64
780317WV051	17	40.64	43.18
780318WV051	18	43.18	45.72
780319WV051	19	45.72	48.26
780320WV051	20	48.26	50.80
780321WV051	21	50.80	53.34
780322WV051	22	53.34	55.88
780323WV051	23	55.88	58.42
780324WV051	24	58.42	60.96
780325WV051	25	60.96	63.50
780326WV051	26	63.50	66.04
780327WV051	27	66.04	68.58
780328WV051	28	68.58	71.12

NOTE:

1. Wafer Material: PBT UL94V-0
Pin/Pos Material: brass bronze.
2. Plated: Tin-plated 50u" min
3. Insulation resistance: 1000MΩ min.
4. Withstand voltage: 1500V AC/minute.
5. Current rating: 3A AC/DC.
6. Voltage rating: 250V AC/DC

UNLESS OTHERWISE SPECIFIED TOLERANCES
 3 PLACE ±0.5 ±0.10
 2 PLACE ±1.5 ±0.25
 1 PLACE ±2.0 ±0.50
 ANGLE DIM



REV.	REVISION		DIS	DATE
SCALE	REV.	PAGE	UNIT	m m
4/1	A	1	THIRD ANGLE PROJECTION	

DWG NO: C7803WV

PART.NO 7803xxWV051