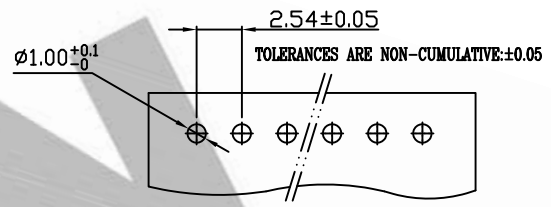
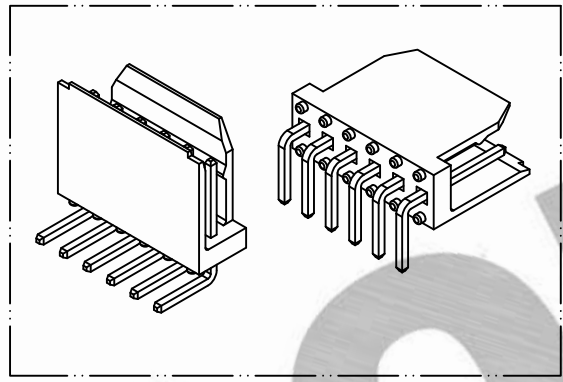
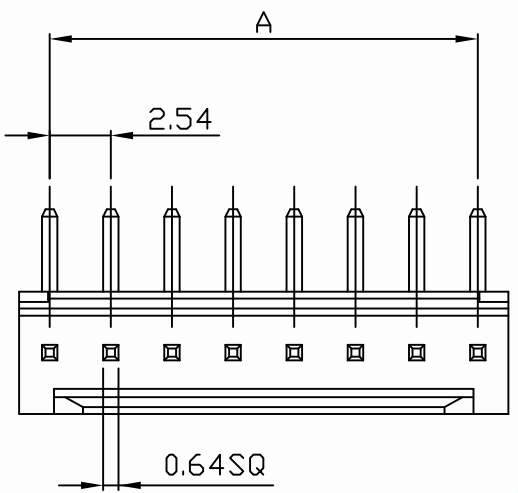


PART NO. 7803xxWR203
 DWG NO. C7803WR

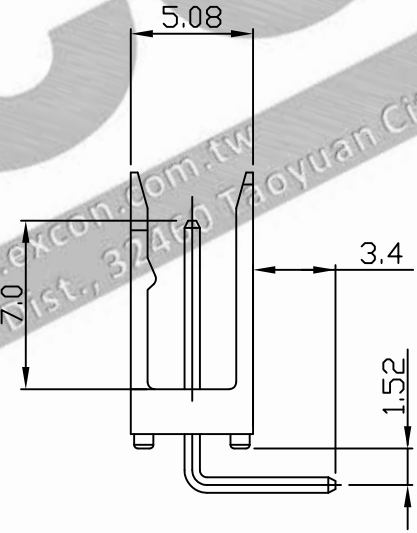
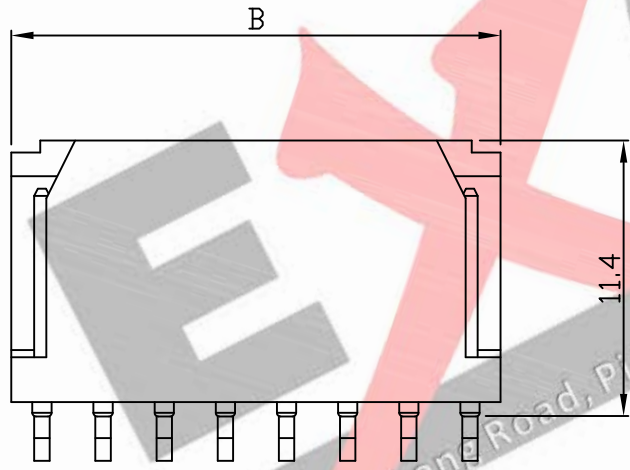


RECOMMENDED PCB LAYOUT

(PCB THK=1.0~1.6)

Ordering Information and Dimensions:

| Part No. | Circuits | Dim A | Dim B |
|-------------|----------|-------|-------|
| 780302WR203 | 2 | 2.54 | 5.08 |
| 780303WR203 | 3 | 5.08 | 7.62 |
| 780304WR203 | 4 | 7.62 | 10.16 |
| 780305WR203 | 5 | 10.16 | 12.70 |
| 780306WR203 | 6 | 12.70 | 15.24 |
| 780307WR203 | 7 | 15.24 | 17.78 |
| 780308WR203 | 8 | 17.78 | 20.32 |
| 780309WR203 | 9 | 20.32 | 22.86 |
| 780310WR203 | 10 | 22.86 | 25.40 |
| 780311WR203 | 11 | 25.40 | 27.94 |
| 780312WR203 | 12 | 27.94 | 30.48 |
| 780313WR203 | 13 | 30.48 | 33.02 |
| 780314WR203 | 14 | 33.02 | 35.56 |
| 780315WR203 | 15 | 35.56 | 38.10 |
| 780316WR203 | 16 | 38.10 | 40.64 |
| 780318WR203 | 18 | 43.18 | 45.72 |



NOTE:

1. Wafer Material: PBT UL94V-0
Pin/Pos Material: brass bronze.
2. Plated: Tin-plated 50u" min
3. Insulation resistance: 1000MΩ min.
4. Withstand voltage: 1500V AC/minute.
5. Current rating: 3A AC/DC.
6. Voltage rating: 250V AC/DC

| REV. | REVISION | DIS | DATE |
|------|----------|-----|------|
| 4/1 | A | 1 | |

SCALE: UNIT: mm

UNLESS OTHERWISE SPECIFIED TOLERANCES
 3 PLACE ±0.5 ±0.10
 2 PLACE ±1.5 ±0.25
 1 PLACE ±2.0 ±0.50
 ANGLE DIM

EXCON
 EXCON TECHNOLOGY COMPANY

PART NO: 7803xxWR203

