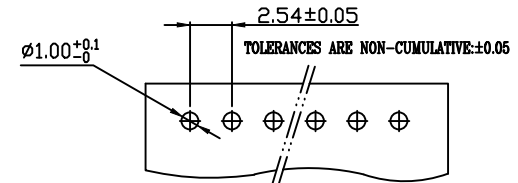
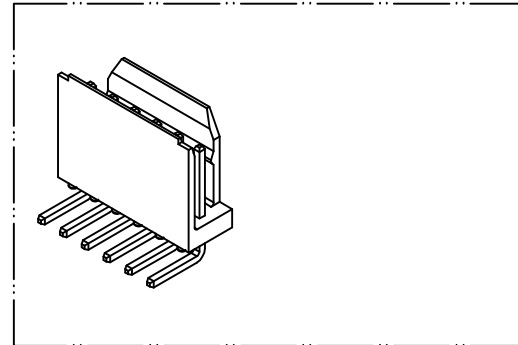
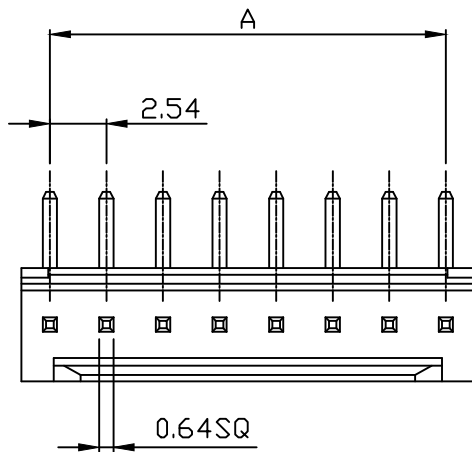


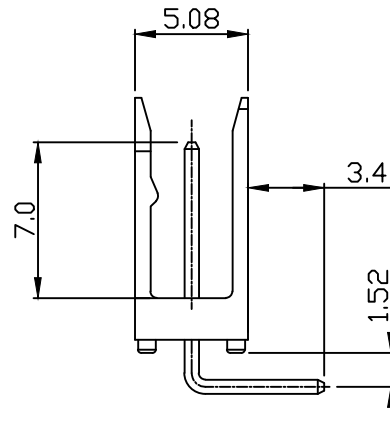
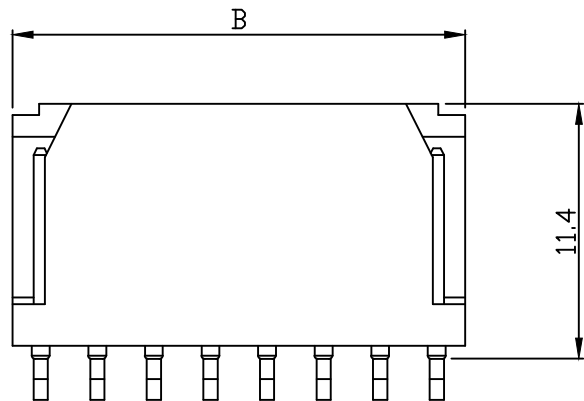
PART NO. 7803xxWR051  
 DWG NO. C7803WR



RECOMMENDED PCB LAYOUT  
 (PCB THK=1.0~1.6)

Dimensional & Ordering Information:

Part No.	Circuits	Dim A	Dim B
780302WR051	2	2.54	5.08
780303WR051	3	5.08	7.62
780304WR051	4	7.62	10.16
780305WR051	5	10.16	12.70
780306WR051	6	12.70	15.24
780307WR051	7	15.24	17.78
780308WR051	8	17.78	20.32
780309WR051	9	20.32	22.86
780310WR051	10	22.86	25.40
780311WR051	11	25.40	27.94
780312WR051	12	27.94	30.48
780313WR051	13	30.48	33.02
780314WR051	14	33.02	35.56
780315WR051	15	35.56	38.10
780316WR051	16	38.10	40.64
780317WR051	17	40.64	43.18
780318WR051	18	43.18	45.72
780319WR051	19	45.72	48.26
780320WR051	20	48.26	50.80
780321WR051	21	50.80	53.34
780322WR051	22	53.34	55.88
780323WR051	23	55.88	58.42
780324WR051	24	58.42	60.96
780325WR051	25	60.96	63.50
780326WR051	26	63.50	66.04
780327WR051	27	66.04	68.58
780328WR051	28	68.58	71.12



NOTE:

1. Wafer Material: PBT UL94V-0  
Pin/Pos Material: brass bronze.
2. Plated: Tin-plated 50u" min
3. Insulation resistance: 1000MΩ min.
4. Withstand voltage: 1500V AC/minute.
5. Current rating: 3A AC/DC.
6. Voltage rating: 250V AC/DC

				UNLESS OTHERWISE SPECIFIED TOLERANCES		 <b>EXCON TECHNOLOGY COMPANY</b>
				3 PLACE ±0.5 ±0.10		
				2 PLACE ±1.5 ±0.25		
				1 PLACE ±2.0 ±0.50		
				ANGLE DIM		
REV.	REVISION			DIS	DATE	
SCALE	REV.	PAGE:	UNIT	mm		DWG NO:
4/1	A	1	THIRD ANGLE PROJECTION			C7803WR
					PART.NO	
					7803xxWR051	