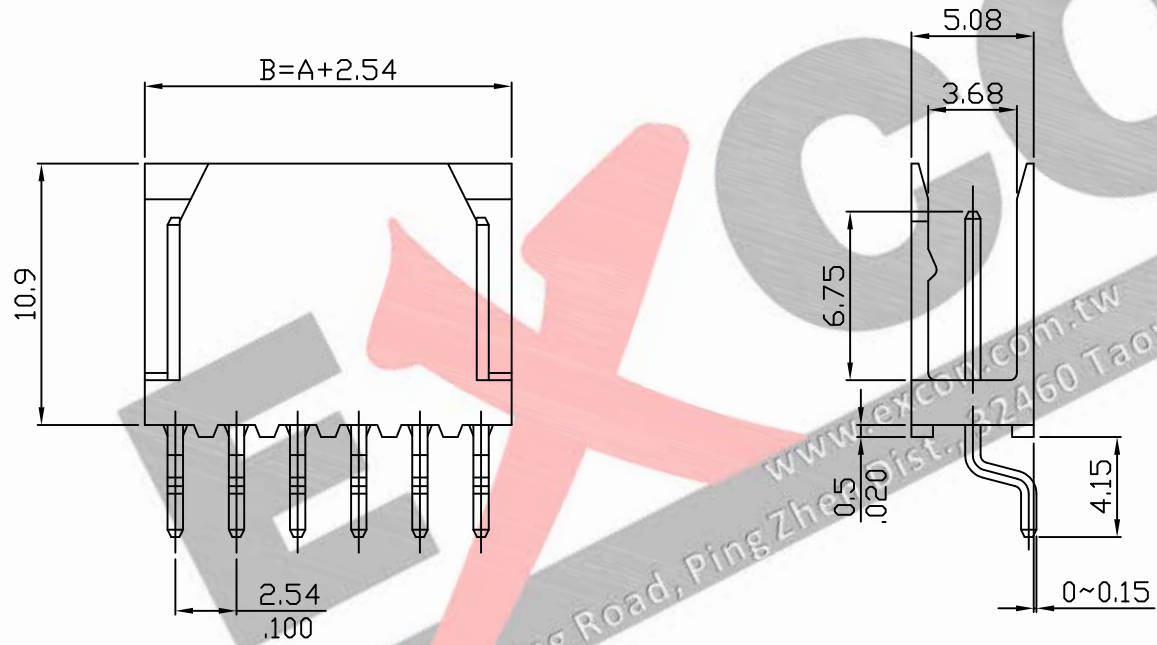
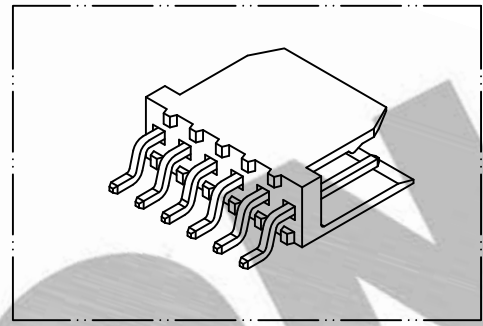
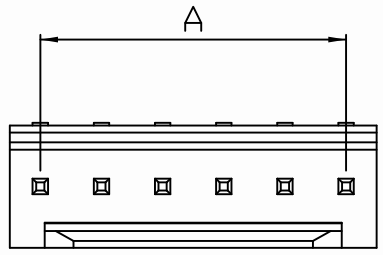


PART NO. 7803xxWE101G
 DWG NO. C7803WE



Ordering Information and Dimensions:

Part No.	Circuits	Dim A	Dim B
780302WE101G	2	2.54	5.08
780303WE101G	3	5.08	7.62
780304WE101G	4	7.62	10.16
780305WE101G	5	10.16	12.70
780306WE101G	6	12.70	15.24
780307WE101G	7	15.24	17.78
780308WE101G	8	17.78	20.32
780309WE101G	9	20.32	22.86
780310WE101G	10	22.86	25.40
780311WE101G	11	25.40	27.94
780312WE101G	12	27.94	30.48
780313WE101G	13	30.48	33.02
780314WE101G	14	33.02	35.56
780315WE101G	15	35.56	38.10
780316WE101G	16	38.10	40.64
780318WE101G	18	43.18	45.72

NOTE:

1. Wafer Material: Ny46 GF+30'
Pin/Pos Material: brass bronze.
2. Plated: Gold flash and Tin-plated 50u" min
3. Insulation resistance: 1000MΩ min.
4. Withstand voltage: 1500V AC/minute.
5. Current rating: 3A AC/DC.
6. Voltage rating: 250V AC/DC

				UNLESS OTHERWISE SPECIFIED TOLERANCES		EXCON
				3 PLACE ±0.5 ±0.10		
				2 PLACE ±1.5 ±0.25		<u>EXCON TECHNOLOGY COMPANY</u>
				1 PLACE ±2.0 ±0.50		
REV.	REVISION			DIS	DATE	
SCALE	REV.	PAGE:	UNIT	mm		DWG NO:
4/1	A	1	THIRD ANGLE PROJECTION			C7803WE
					PART.NO	
					7803xxWE101G	