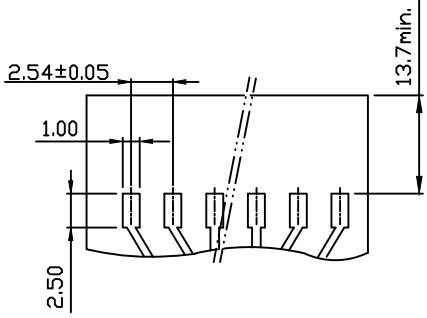
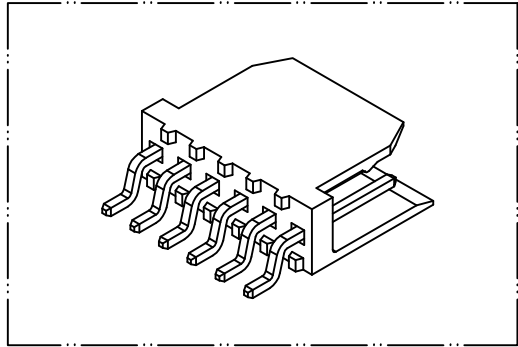
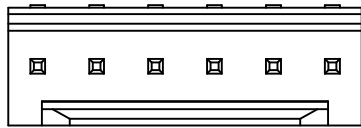
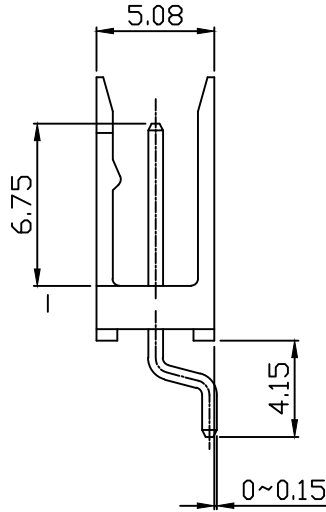
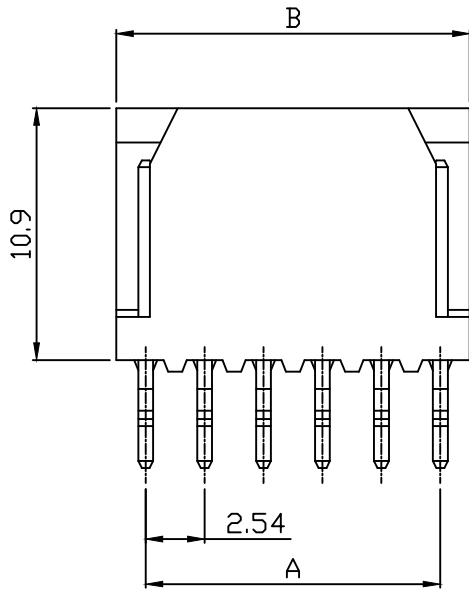


PART NO. 7803xxWE051  
 DWG NO. C7803WE



RECOMMENDED PCB LAYOUT  
 (PCB THK=1.0~1.6)



Dimensional & Ordering Information:

Part No.	Circuits	Dim A	Dim B
780302WE051	2	2.54	5.08
780303WE051	3	5.08	7.62
780304WE051	4	7.62	10.16
780305WE051	5	10.16	12.70
780306WE051	6	12.70	15.24
780307WE051	7	15.24	17.78
780308WE051	8	17.78	20.32
780309WE051	9	20.32	22.86
780310WE051	10	22.86	25.40
780311WE051	11	25.40	27.94
780312WE051	12	27.94	30.48
780313WE051	13	30.48	33.02
780314WE051	14	33.02	35.56
780315WE051	15	35.56	38.10
780316WE051	16	38.10	40.64
780317WE051	17	40.64	43.18
780318WE051	18	43.18	45.72
780319WE051	19	45.72	48.26
780320WE051	20	48.26	50.80
780321WE051	21	50.80	53.34
780322WE051	22	53.34	55.88
780323WE051	23	55.88	58.42
780324WE051	24	58.42	60.96
780325WE051	25	60.96	63.50
780326WE051	26	63.50	66.04
780327WE051	27	66.04	68.58
780328WE051	28	68.58	71.12

NOTE:

1. Wafer Material: PBT UL94V-0  
Pin/Pos Material: brass bronze.
2. Plated: Tin-plated 50u" min
3. Insulation resistance: 1000MΩ min.
4. Withstand voltage: 1500V AC/minute.
5. Current rating: 3A AC/DC.
6. Voltage rating: 250V AC/DC

REV.	REVISION	DIS	DATE
SCALE	REV.	PAGE:	UNIT
4/1	A	1	mm

UNLESS OTHERWISE SPECIFIED TOLERANCES  
 3 PLACE ±0.5 ±0.10  
 2 PLACE ±1.5 ±0.25  
 1 PLACE ±2.0 ±0.50  
 ANGLE DIM

**EXCON**  
 EXCON TECHNOLOGY COMPANY

DWG NO:	C7803WE	PART.NO	7803xxWE051
---------	---------	---------	-------------