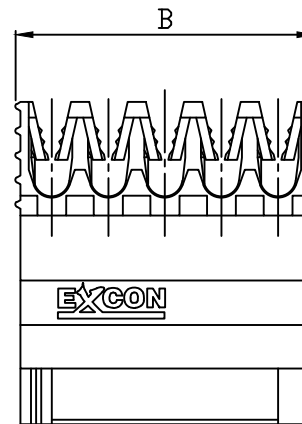
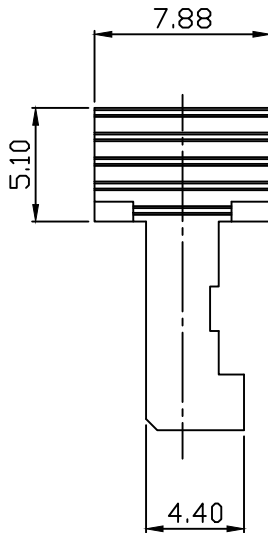
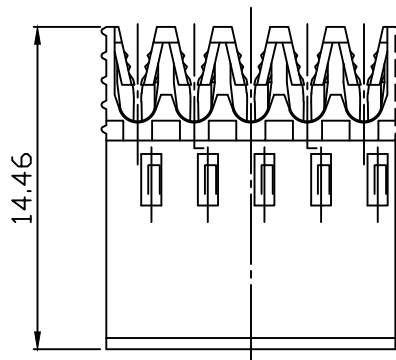
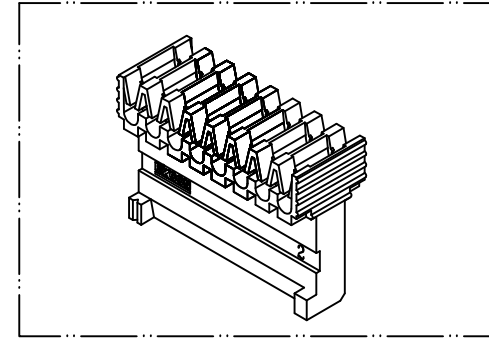
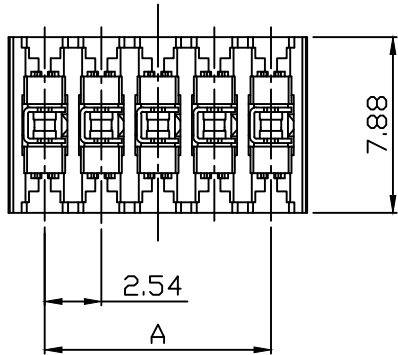


PART NO. 7803xxHB051
 DWG NO. C7803HB



Dimensional & Ordering Information:

Part No.	Circuits	Dim A	Dim B
780302HB051	2	2.54	5.08
780303HB051	3	5.08	7.62
780304HB051	4	7.62	10.16
780305HB051	5	10.16	12.70
780306HB051	6	12.70	15.24
780307HB051	7	15.24	17.78
780308HB051	8	17.78	20.32
780309HB051	9	20.32	22.86
780310HB051	10	22.86	25.40
780311HB051	11	25.40	27.94
780312HB051	12	27.94	30.48
780313HB051	13	30.48	33.02
780314HB051	14	33.02	35.56
780315HB051	15	35.56	38.10
780316HB051	16	38.10	40.64
780317HB051	17	40.64	43.18
780318HB051	18	43.18	45.72
780319HB051	19	45.72	48.26
780320HB051	20	48.26	50.80
780321HB051	21	50.80	53.34
780322HB051	22	53.34	55.88
780323HB051	23	55.88	58.42
780324HB051	24	58.42	60.96
780325HB051	25	60.96	63.50
780326HB051	26	63.50	66.04
780327HB051	27	66.04	68.58
780328HB051	28	68.58	71.12

NOTE:

1. Housing Material: Nylon 66 UL94V-0
2. Color: Nautral
3. Insulation resistance: 1000M ohm/min.
4. Withstand voltage: 1500V AC/minute.
5. Current retang: 3A AC/DC.
7. Voltage rating: 250V AC/DC
8. Use wire: AWG 24~26

REV.	REVISIONI	DIS	DATE
SCALE	REV.	PAGE:	UNIT
4/1	A	1	mm

UNLESS OTHERWISE SPECIFIED TOLERANCES
 3 PLACE ±0.5 ±0.10
 2 PLACE ±1.5 ±0.25
 1 PLACE ±2.0 ±0.50
 ANGLE DIM

EXCON
 EXCON TECHNOLOGY COMPANY

SCALE	REV.	PAGE:	UNIT	mm	DWG NO:	PART.NO
4/1	A	1	THIRD ANGLE PROJECTION		C7803HB	7803xxHB051