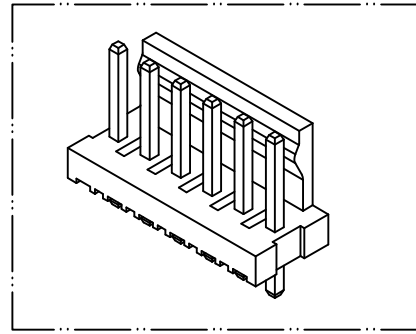
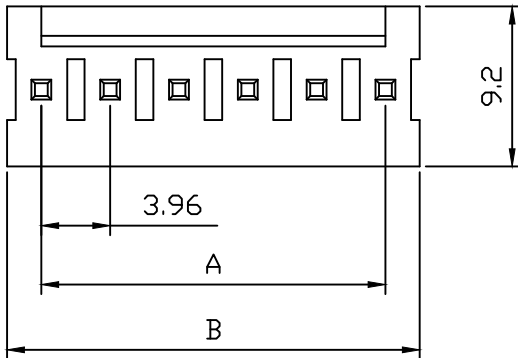
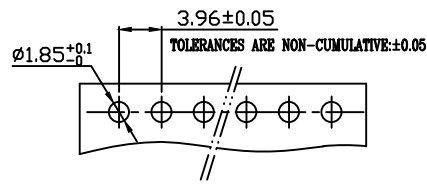
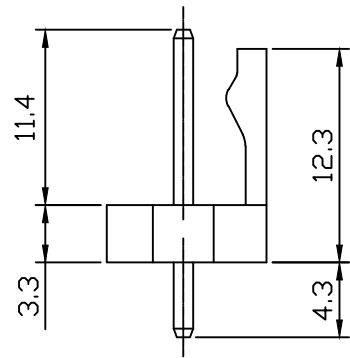
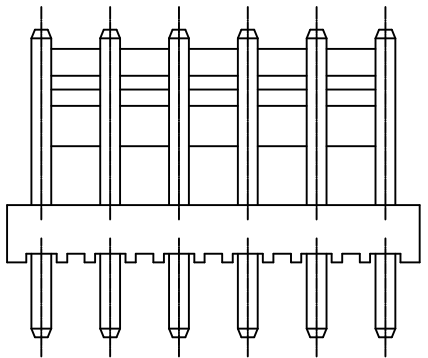


PART NO. 7802xxWV001  
 DWG NO. C7802WV



Dimensional & Ordering Information:

Part No.	Circuits	Dim A	Dim B
780202WV001	2	3.96	7.92
780203WV001	3	7.92	11.88
780204WV001	4	11.88	15.84
780205WV001	5	15.84	19.80
780206WV001	6	19.80	23.76
780207WV001	7	23.76	27.72
780208WV001	8	27.72	31.68
780209WV001	9	31.68	35.64
780210WV001	10	35.64	39.60
780211WV001	11	39.60	43.56
780212WV001	12	43.56	47.52
780213WV001	13	47.52	51.48
780214WV001	14	51.48	55.44
780215WV001	15	55.44	59.40
780216WV001	16	59.40	63.36
780217WV001	17	63.36	67.32
780218WV001	18	67.32	71.28
780219WV001	19	71.28	75.24
780220WV001	20	75.24	79.20
780221WV001	21	79.20	83.16
780222WV001	22	83.16	87.12
780223WV001	23	87.12	91.08
780224WV001	24	91.08	95.04



RECOMMENDED PCB LAYOUT  
 (PCB THK=1.0~1.6)

NOTE:

- Housing Material: Nylon 66 UL94V0  
Pin/Pos Material: brass bronze.
- Plated: Tin-plated 50u"min.
- Insulation resistance: 1000M Ω min.
- Withstand voltage: 1500V AC/minute.
- Current retang: 5A AC/DC.
- Voltage rating: 250V AC/DC

REV.	REVISIONI	DIS	DATE
SCALE	REV.	PAGE:	UNIT
4/1	A	1	mm

UNLESS OTHERWISE SPECIFIED TOLERANCES  
 3 PLACE ±0.5 ±0.10  
 2 PLACE ±1.5 ±0.35  
 1 PLACE ±2.0 ±0.50  
 ANGLE DIM



DWG NO:	C7802WV	PART.NO	7802xxWV001
---------	---------	---------	-------------