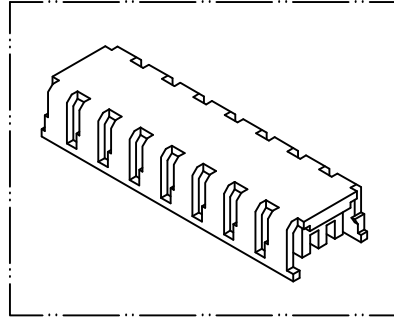
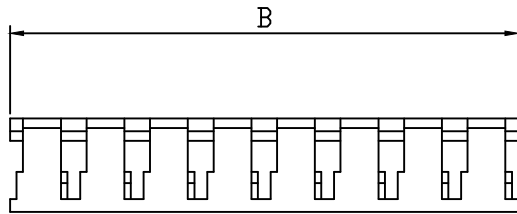
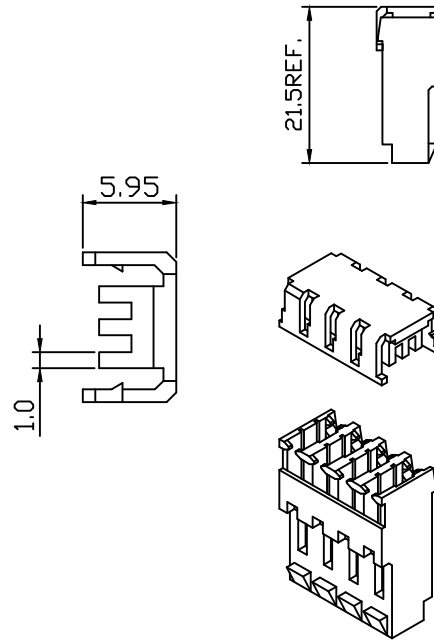
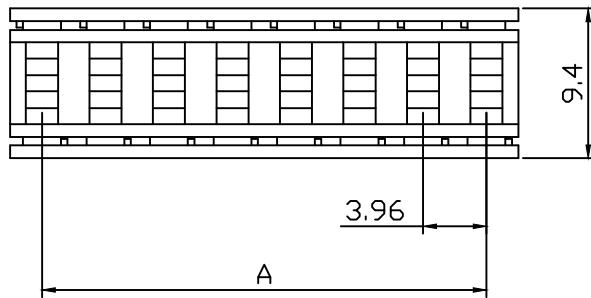


PART NO. 7802xxLA051  
 DWG NO. C7802LA



Dimensional & Ordering Information:

Part No.	Circuits	Dim A	Dim B
780202LA051	2	3.96	7.92
780203LA051	3	7.92	11.88
780204LA051	4	11.88	15.84
780205LA051	5	15.84	19.80
780206LA051	6	19.80	23.76
780207LA051	7	23.76	27.72
780208LA051	8	27.72	31.68
780209LA051	9	31.68	35.64
780210LA051	10	35.64	39.60
780211LA051	11	39.60	43.56
780212LA051	12	43.56	47.52
780213LA051	13	47.52	51.48
780214LA051	14	51.48	55.44
780215LA051	15	55.44	59.40
780216LA051	16	59.40	63.36
780217LA051	17	63.36	67.32
780218LA051	18	67.32	71.28
780219LA051	19	71.28	75.24
780220LA051	20	75.24	79.20
780221LA051	21	79.20	83.16
780222LA051	22	83.16	87.12
780223LA051	23	87.12	91.08
780224LA051	24	91.08	95.04



NOTE:

1. Housing Material: Nylon 66 UL94V2
2. Color: Natural
2. Insulation resistance: 1000M  $\Omega$  min.
3. Withstand voltage: 1500V AC/minute.
4. Current rating: 5A AC/DC.
5. Voltage rating: 250V AC/DC

REV.	REVISION	DIS	DATE

SCALE	REV.	PAGE	UNIT	mm
4/1	A	1	THIRD ANGLE PROJECTION	

UNLESS OTHERWISE SPECIFIED TOLERANCES  
 3 PLACE  $\pm 0.5 \pm 0.10$   
 2 PLACE  $\pm 1.5 \pm 0.35$   
 1 PLACE  $\pm 2.0 \pm 0.50$   
 ANGLE DIM

**EXCON**  
 EXCON TECHNOLOGY COMPANY

DWG NO:	PART.NO
C7802LA	7802xxLA051