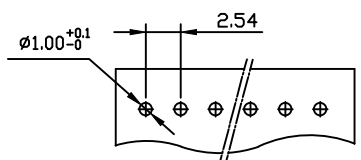
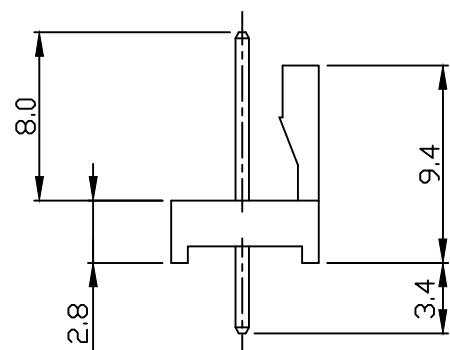
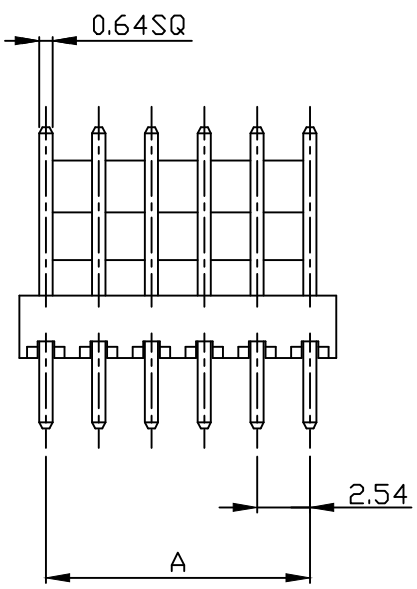
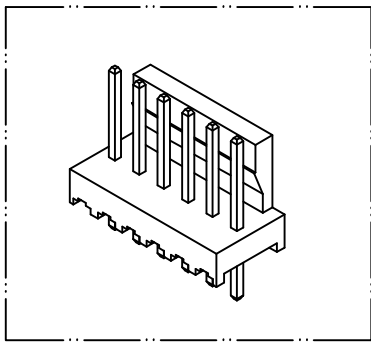
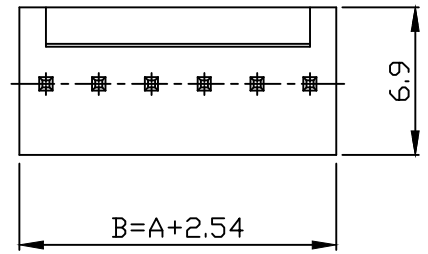


PART NO. 7801xxWV001
 DWG NO. C7801WV



RECOMMENDED PCB LAYOUT
 (PCB T=1.0~1.6mm)

Dimensional & Ordering Information:

Part No.	Circuits	Dim A	Dim B
780102WV001	2	2.54	5.08
780103WV001	3	5.08	7.62
780104WV001	4	7.62	10.16
780105WV001	5	10.16	12.70
780106WV001	6	12.70	15.24
780107WV001	7	15.24	17.78
780108WV001	8	17.78	20.32
780109WV001	9	20.32	22.86
780110WV001	10	22.86	25.40
780111WV001	11	25.40	27.94
780112WV001	12	27.94	30.48
780113WV001	13	30.48	33.02
780114WV001	14	33.02	35.56
780115WV001	15	35.56	38.10
780116WV001	16	38.10	40.64
780117WV001	17	40.64	43.18
780118WV001	18	43.18	45.72
780119WV001	19	45.72	48.26
780120WV001	20	48.26	50.80
780121WV001	21	50.80	53.34
780122WV001	22	53.34	55.88
780123WV001	23	55.88	58.42
780124WV001	24	58.42	60.96
780125WV001	25	60.96	63.50
780126WV001	26	63.50	66.04
780127WV001	27	66.04	68.58
780128WV001	28	68.58	71.12

NOTE:

- Housing Material: Nylon 66 UL94V0
Pin: Brass bronze, Tin plated
- Color: Natural
- Insulation resistance: 1000M Ω min.
- Withstand voltage: 1500V AC/minute.
- Current rating: 3A AC/DC.
- Voltage rating: 250V AC/DC

REV.	REVISION	DIS	DATE

UNLESS OTHERWISE SPECIFIED TOLERANCES
 3 PLACE $\pm 0.5 \pm 0.10$
 2 PLACE $\pm 1.5 \pm 0.25$
 1 PLACE $\pm 2.0 \pm 0.50$
 ANGLE DIM

SCALE	REV.	PAGE:	UNIT	mm	DWG NO:	PART.NO
4/1	A	1	THIRD ANGLE PROJECTION		C7801WV	7801xxWV001



F
E
D
C
B
A