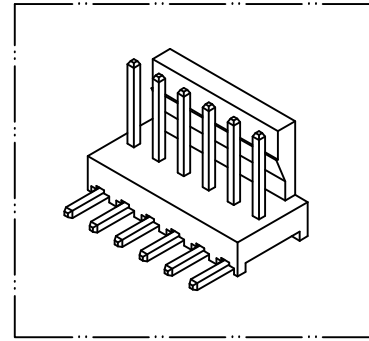
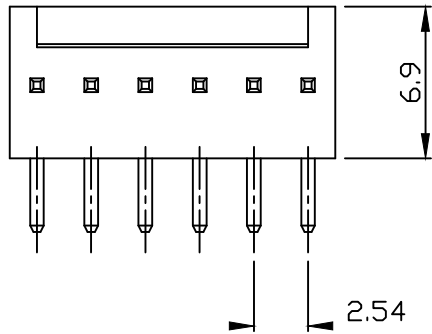
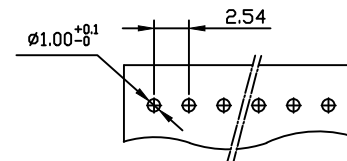
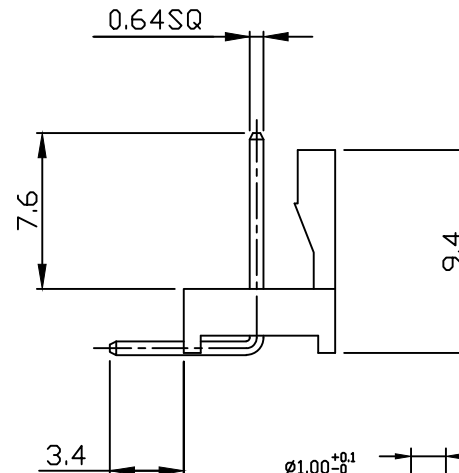
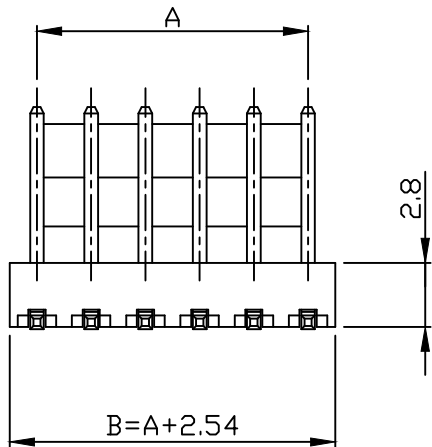


PART NO. 7801xxWR001  
 DWG NO. C7801WR



Dimensional & Ordering Information:

Part No.	Circuits	Dim A	Dim B
780102WR001	2	2.54	5.08
780103WR001	3	5.08	7.62
780104WR001	4	7.62	10.16
780105WR001	5	10.16	12.70
780106WR001	6	12.70	15.24
780107WR001	7	15.24	17.78
780108WR001	8	17.78	20.32
780109WR001	9	20.32	22.86
780110WR001	10	22.86	25.40
780111WR001	11	25.40	27.94
780112WR001	12	27.94	30.48
780113WR001	13	30.48	33.02
780114WR001	14	33.02	35.56
780115WR001	15	35.56	38.10
780116WR001	16	38.10	40.64
780117WR001	17	40.64	43.18
780118WR001	18	43.18	45.72
780119WR001	19	45.72	48.26
780120WR001	20	48.26	50.80
780121WR001	21	50.80	53.34
780122WR001	22	53.34	55.88
780123WR001	23	55.88	58.42
780124WR001	24	58.42	60.96
780125WR001	25	60.96	63.50
780126WR001	26	63.50	66.04
780127WR001	27	66.04	68.58
780128WR001	28	68.58	71.12



RECOMMENDED PCB LAYOUT  
 (PCB T=1.0~1.6mm)

NOTE:

- Housing Material: Nylon 66 UL94V0  
Pin: Brass bronze, Tin plated
- Color: Natural
- Insulation resistance: 1000M  $\Omega$  min.
- Withstand voltage: 1500V AC/minute.
- Current rating: 3A AC/DC.
- Voltage rating: 250V AC/DC

REV.	REVISION	DIS	DATE
SCALE	REV.	PAGE	UNIT
4/1	A	1	mm

UNLESS OTHERWISE SPECIFIED TOLERANCES  
 3 PLACE  $\pm 0.5$   $\pm 0.10$   
 2 PLACE  $\pm 1.5$   $\pm 0.25$   
 1 PLACE  $\pm 2.0$   $\pm 0.50$   
 ANGLE DIM

**EXCON**  
 EXCON TECHNOLOGY COMPANY

DWG NO:	C7801WR	PART.NO	7801xxWR001
---------	---------	---------	-------------