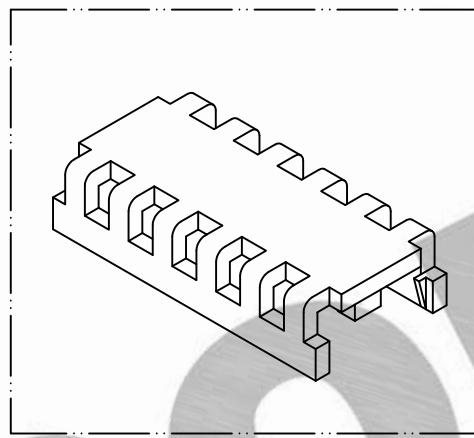
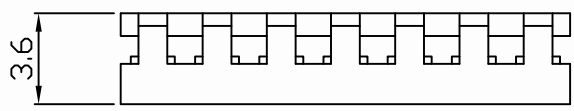


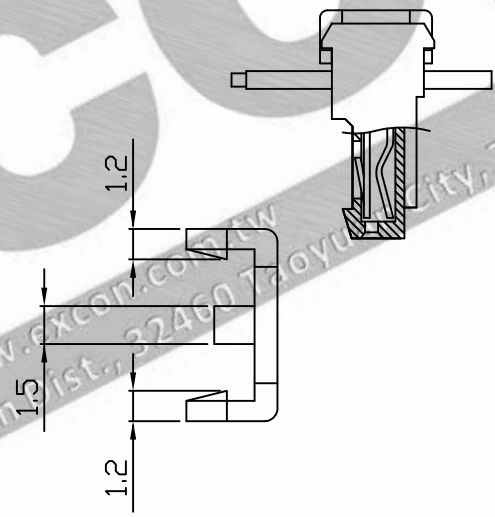
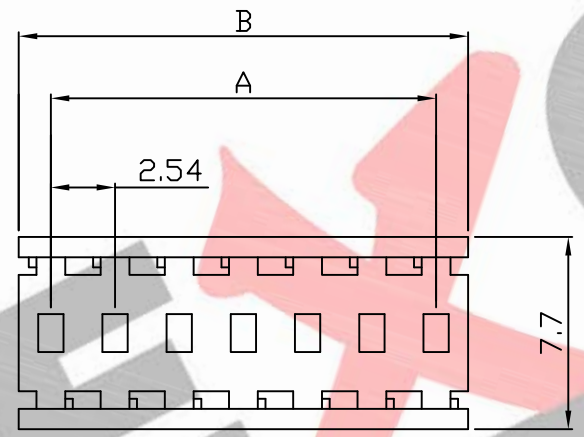
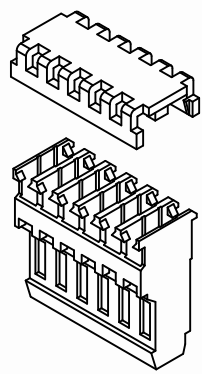
10 9 8 7 6 5 4 3 2 1

PART NO. 7801xxLA051
 DWG NO. C7801LA



Dimensional & Ordering Information:

Part No.	Circuits	Dim A	Dim B
780102LA051	2	2.54	5.08
780103LA051	3	5.08	7.62
780104LA051	4	7.62	10.16
780105LA051	5	10.16	12.70
780106LA051	6	12.70	15.24
780107LA051	7	15.24	17.78
780108LA051	8	17.78	20.32
780109LA051	9	20.32	22.86
780110LA051	10	22.86	25.40
780111LA051	11	25.40	27.94
780112LA051	12	27.94	30.48
780113LA051	13	30.48	33.02
780114LA051	14	33.02	35.56
780115LA051	15	35.56	38.10
780116LA051	16	38.10	40.64
780117LA051	17	40.64	43.18
780118LA051	18	43.18	45.72
780119LA051	19	45.72	48.26
780120LA051	20	48.26	50.80
780121LA051	21	50.80	53.34
780122LA051	22	53.34	55.88
780123LA051	23	55.88	58.42
780124LA051	24	58.42	60.96
780125LA051	25	60.96	63.50
780126LA051	26	63.50	66.04
780127LA051	27	66.04	68.58
780128LA051	28	68.58	71.12



NOTE:

1. Housing Material: Nylon 66 UL94V2
2. Color: Natural
2. Insulation resistance: 1000MΩ min.
3. Withstand voltage: 1500V AC/minute.
4. Current rating: 3A AC/DC.
5. Voltage rating: 250V AC/DC

UNLESS OTHERWISE SPECIFIED TOLERANCES			
3 PLACE ±0.5 ±0.10			
2 PLACE ±1.5 ±0.25			
1 PLACE ±2.0 ±0.50			
ANGLE DIM			
REV.	REVISION		DIS DATE
SCALE	REV.	PAGE:	UNIT mm
4/1	A	1	THIRD ANGLE PROJECTION
DWG NO:			C7801LA

EXCON
 EXCON TECHNOLOGY COMPANY

PART.NO
 7801xxLA051

F
E
D
C
B
A

10 9 8 7 6 5 4 3 2 1