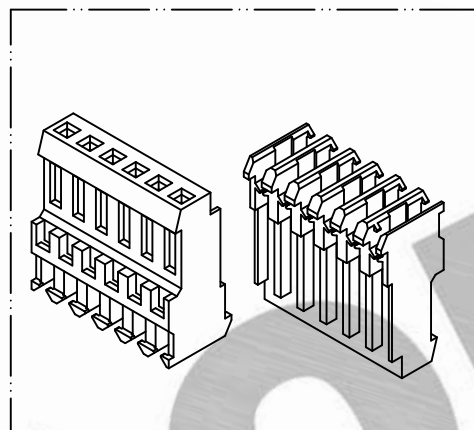
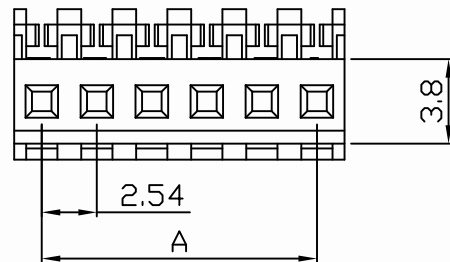
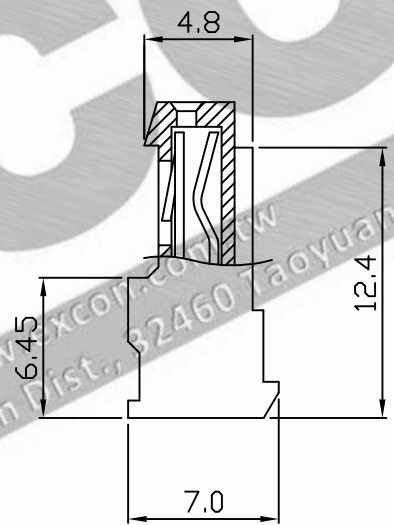
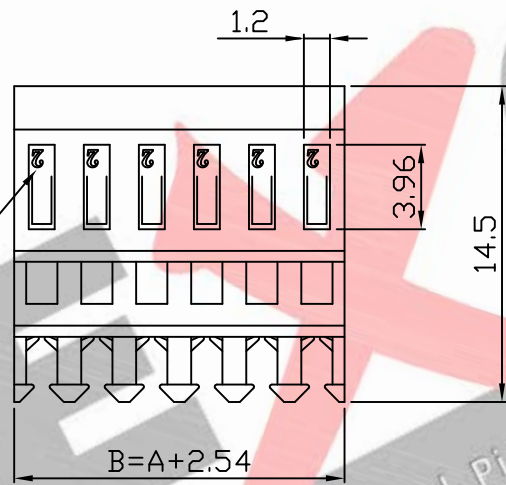


PART NO.  
7801xxHA051-x  
DWG NO.  
C7801HA



Dimensional & Ordering Information:

Part No.	Circuits	Dim A	Dim B
780102HA051-x	2	2.54	5.08
780103HA051-x	3	5.08	7.62
780104HA051-x	4	7.62	10.16
780105HA051-x	5	10.16	12.70
780106HA051-x	6	12.70	15.24
780107HA051-x	7	15.24	17.78
780108HA051-x	8	17.78	20.32
780109HA051-x	9	20.32	22.86
780110HA051-x	10	22.86	25.40
780111HA051-x	11	25.40	27.94
780112HA051-x	12	27.94	30.48
780113HA051-x	13	30.48	33.02
780114HA051-x	14	33.02	35.56
780115HA051-x	15	35.56	38.10
780116HA051-x	16	38.10	40.64
780117HA051-x	17	40.64	43.18
780118HA051-x	18	43.18	45.72
780119HA051-x	19	45.72	48.26
780120HA051-x	20	48.26	50.80
780121HA051-x	21	50.80	53.34
780122HA051-x	22	53.34	55.88
780123HA051-x	23	55.88	58.42
780124HA051-x	24	58.42	60.96
780125HA051-x	25	60.96	63.50
780126HA051-x	26	63.50	66.04
780127HA051-x	27	66.04	68.58
780128HA051-x	28	68.58	71.12



Wire Gauge  
 2 ⇒ #22AWG  
 4 ⇒ #24AWG  
 6 ⇒ #26AWG  
 8 ⇒ #28AWG

NOTE:

- Housing Material: Nylon 66 UL94V2
- Wire AWG: △ See table
- Insulation resistance: 1000M Ω min.
- Withstand voltage: 1500V AC/minute.
- Current rating: 3A AC/DC.
- Voltage rating: 250V AC/DC

AWG	Part NO
△ 28	7801xxHA051-8
△ 26	7801xxHA051-6
△ 24	7801xxHA051-4
△ 22	7801xxHA051-2

REV.	REVISION	DIS	DATE
SCALE	REV.	PAGE	UNIT

UNLESS OTHERWISE SPECIFIED TOLERANCES  
 3 PLACE ±0.5 ±0.10  
 2 PLACE ±1.5 ±0.25  
 1 PLACE ±2.0 ±0.50  
 ANGLE DIM



4/1	A	1	THIRD ANGLE PROJECTION	mm	DWG NO:	C7801HA	PART.NO	7801xxHA051-x
-----	---	---	------------------------	----	---------	---------	---------	---------------