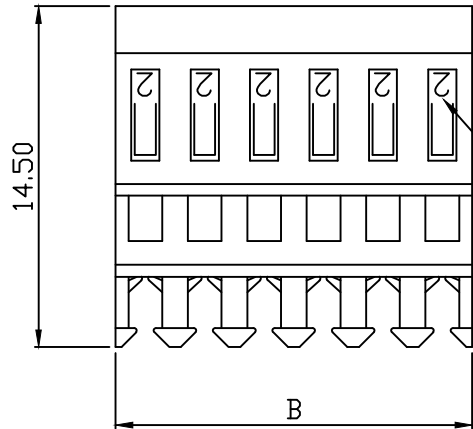
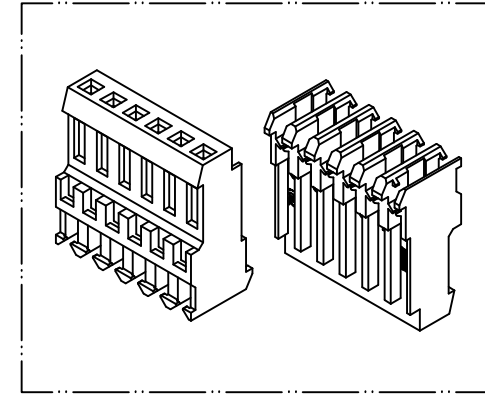
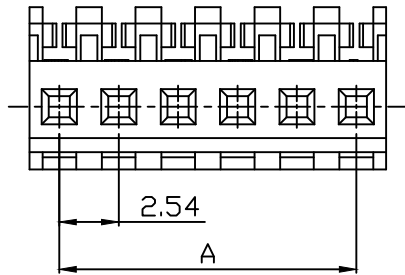
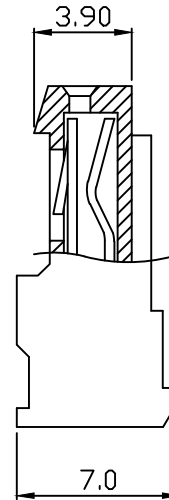


PART NO. 7801xxHA051  
 DWG NO. C7801HA



Wire Gauge  
 2 ⇨ #22AWG  
 4 ⇨ #24AWG  
 6 ⇨ #26AWG  
 8 ⇨ #28AWG



Dimensional & Ordering Information:

Part No.	Circuits	Dim A	Dim B	Part No.	Circuits	Dim A	Dim B
780102HA051	2	2.54	5.08	780118HA051	16	38.10	40.64
780103HA051	3	5.08	7.62	780117HA051	17	40.64	43.18
780104HA051	4	7.62	10.16	780118HA051	18	43.18	45.72
780105HA051	5	10.16	12.70	780119HA051	19	45.72	48.26
780106HA051	6	12.70	15.24	780120HA051	20	48.26	50.80
780107HA051	7	15.24	17.78	780121HA051	21	50.80	53.34
780108HA051	8	17.78	20.32	780122HA051	22	53.34	55.88
780109HA051	9	20.32	22.86	780123HA051	23	55.88	58.42
780110HA051	10	22.86	25.40	780124HA051	24	58.42	60.96
780111HA051	11	25.40	27.94	780125HA051	25	60.96	63.50
780112HA051	12	27.94	30.48	780126HA051	26	63.50	66.04
780113HA051	13	30.48	33.02	780127HA051	27	66.04	68.58
780114HA051	14	33.02	35.56	780128HA051	28	68.58	71.12
780115HA051	15	35.56	38.10				

NOTE:

1. Housing Material: Nylon 66 UL94V2
2. Insulation resistance: 1000M Ω min.
3. Withstand voltage: 1500V AC/minute.
4. Current rating: 3A AC/DC.
5. Voltage rating: 250V AC/DC

UNLESS OTHERWISE SPECIFIED TOLERANCES				<b>EXCON</b> EXCON TECHNOLOGY COMPANY
3 PLACE ±0.5 ±0.10				
2 PLACE ±1.5 ±0.25				PART.NO
1 PLACE ±2.0 ±0.50				
ANGLE DIM				7801xxHA051
REV.	REVISION		DIS DATE	
SCALE	REV.	PAGE:	UNIT mm	DWG NO:
NONE	B	1	THIRD ANGLE PROJECTION	C7801HA