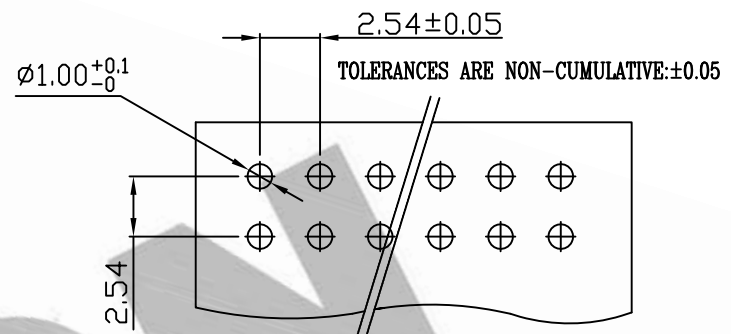
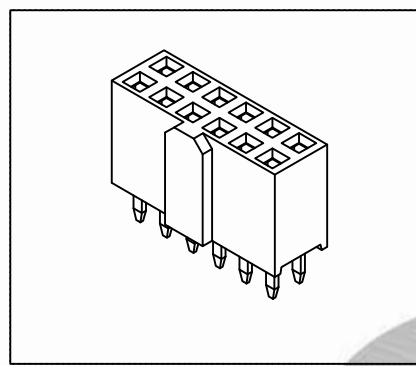
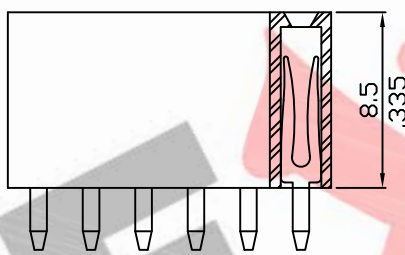
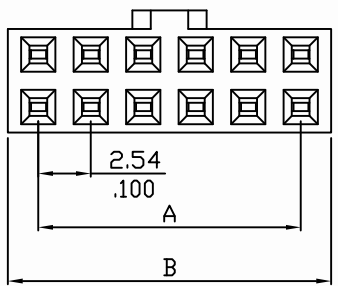


10 9 8 7 6 5 4 3 2 1

PART NO. 7708xxWJ203
 DWG NO. C7708WJ



RECOMMENDED PCB LAYOUT
 (PCB THK=1.0~1.6)

Dimensional & Ordering Information:

Part No.	POS	A	B
770808WJ203	8	7.62	10.66
770810WJ203	10	10.16	13.20
770812WJ203	12	12.70	15.74
770814WJ203	14	15.24	18.28
770816WJ203	16	17.78	20.82
770818WJ203	18	20.32	23.36
770820WJ203	20	22.86	25.90
770824WJ203	24	27.94	30.98
770826WJ203	26	30.48	33.52
770828WJ203	28	33.02	36.06
770830WJ203	30	35.56	38.60
770834WJ203	34	40.64	43.68
770836WJ203	36	43.18	46.22
770840WJ203	40	48.26	51.30
770850WJ203	50	60.96	64.00
770864WJ203	64	78.74	81.78
770868WJ203	68	83.82	86.86

NOTE:

1. Wafer Material: PBT 94V-0
Pin/Pos Material: brass bronze.
2. Plated: Gold,flash
3. Insulation resistance: 1000M Ω min.
4. Withstand voltage: 1000V AC/minute.
5. Current rating: 3A AC/DC.
6. Voltage rating: 250V AC/DC

UNLESS OTHERWISE SPECIFIED TOLERANCES			
3 PLACE ±0.5 ±0.10			
2 PLACE ±1.5 ±0.25			
1 PLACE ±2.0 ±0.50			
ANGLE DIM			
REV.	REVISION	DIS	DATE
SCALE	REV.	PAGE:	UNIT
2/1	A	1	MM
THIRD ANGLE PROJECTION			

EXCON
EXCON TECHNOLOGY COMPANY

DWG NO: C7708WJ
 PART.NO: 7708xxWJ203

10 9 8 7 6 5 4 3 2 1