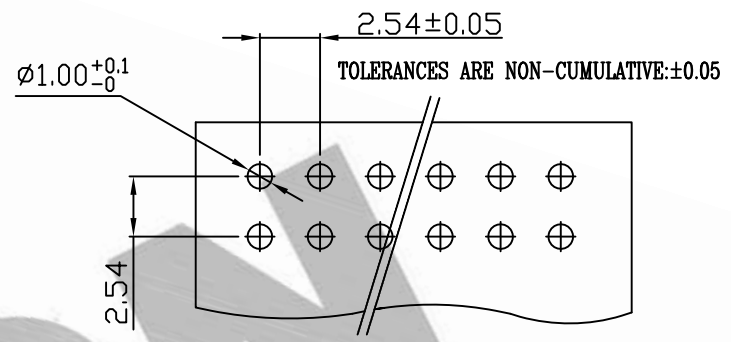
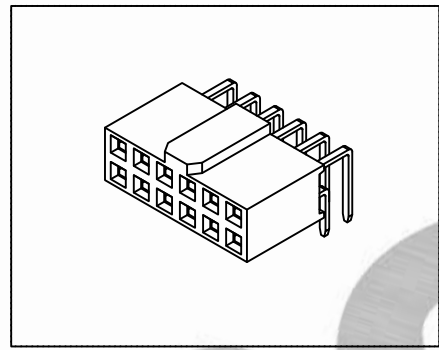
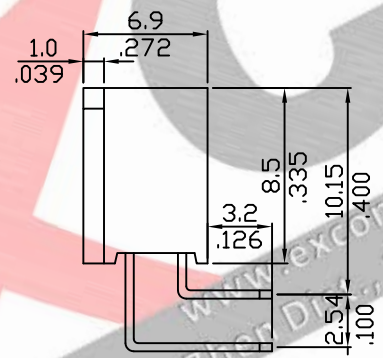
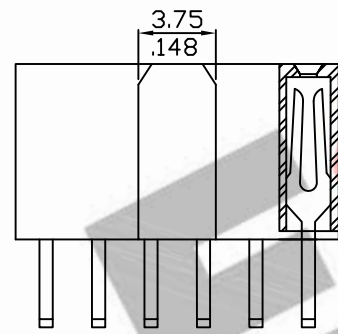
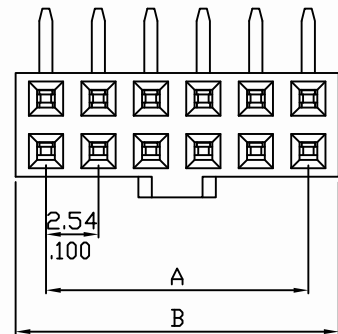


PART NO. 7708xxWF203
 DWG NO. C7708WF



Dimensional & Ordering Information:

| Part No. | POS | A | B |
|-------------|-----|-------|-------|
| 770808WF203 | 8 | 7.62 | 10.66 |
| 770810WF203 | 10 | 10.16 | 13.20 |
| 770812WF203 | 12 | 12.70 | 15.74 |
| 770814WF203 | 14 | 15.24 | 18.28 |
| 770816WF203 | 16 | 17.78 | 20.82 |
| 770818WF203 | 18 | 20.32 | 23.36 |
| 770820WF203 | 20 | 22.86 | 25.90 |
| 770824WF203 | 24 | 27.94 | 30.98 |
| 770826WF203 | 26 | 30.48 | 33.52 |
| 770828WF203 | 28 | 33.02 | 36.06 |
| 770830WF203 | 30 | 35.56 | 38.60 |
| 770834WF203 | 34 | 40.64 | 43.68 |
| 770836WF203 | 36 | 43.18 | 46.22 |
| 770840WF203 | 40 | 48.26 | 51.30 |
| 770850WF203 | 50 | 60.96 | 64.00 |
| 770864WF203 | 64 | 78.74 | 81.78 |
| 770868WF203 | 68 | 83.82 | 86.86 |

- NOTE:
1. Wafer Material: PBT 94V-0
Pin/Pos Material: brass bronze.
 2. Plated: Gold,flash
 3. Insulation resistance: 1000MΩ min.
 4. Withstand voltage: 1000V AC/minute.
 5. Current rating: 3A AC/DC.
 6. Voltage rating: 250V AC/DC

| | | | |
|---------------------------------------|----------|-------|------------------------|
| UNLESS OTHERWISE SPECIFIED TOLERANCES | | | |
| 3 PLACE ±0.5 ±0.10 | | | |
| 2 PLACE ±1.5 ±0.25 | | | |
| 1 PLACE ±2.0 ±0.50 | | | |
| ANGLE DIM | | | |
| REV. | REVISION | | DIS DATE |
| SCALE | REV. | PAGE: | UNIT M M |
| 2/1 | A | 1 | THIRD ANGLE PROJECTION |

EXCON

EXCON TECHNOLOGY COMPANY

PART.NO

7708xxWF203