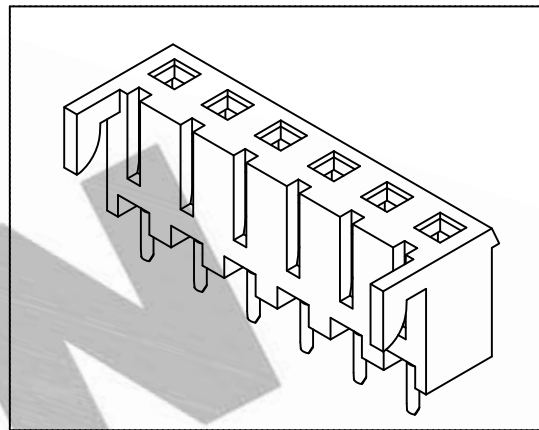
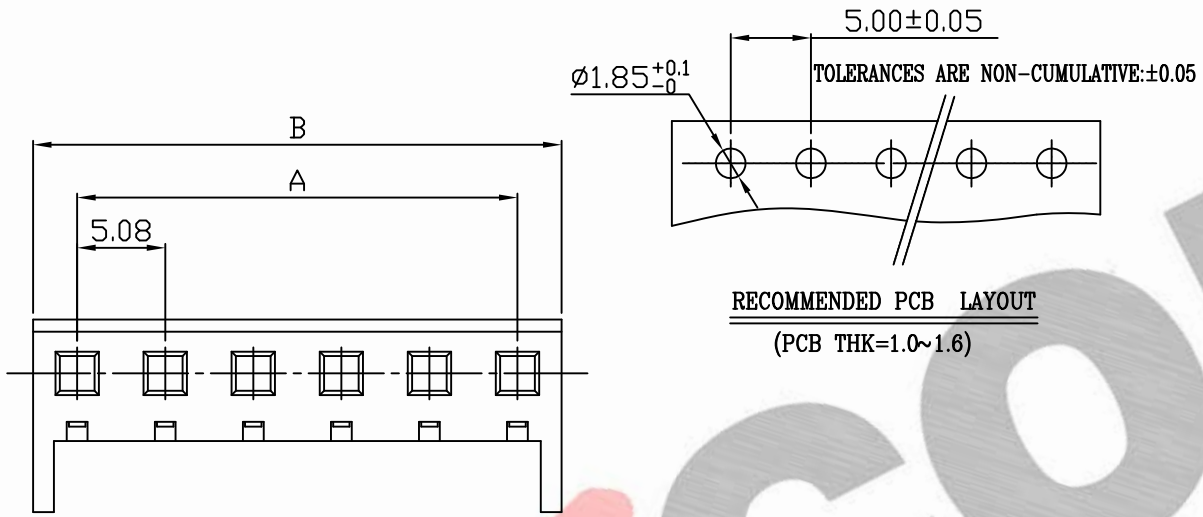
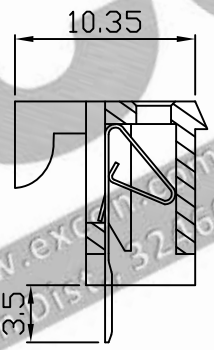
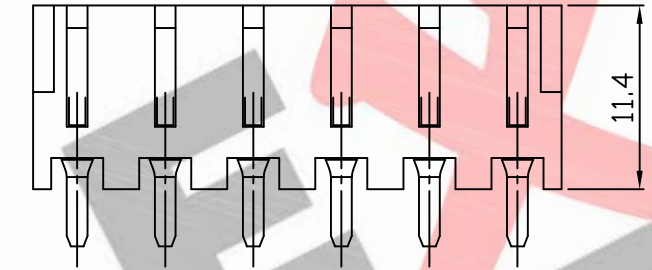


PART NO. 7703xxWV051  
 DWG NO. C7703WV



**RECOMMENDED PCB LAYOUT**  
 (PCB THK=1.0~1.6)



Dimensional & Ordering Information:

Part No.	Circuits	Dim A	Dim B
770302WV051	2	5.08	10.16
770303WV051	3	10.16	15.24
770304WV051	4	15.24	20.32
770305WV051	5	20.32	25.40
770306WV051	6	25.40	30.48
770307WV051	7	30.48	35.56
770308WV051	8	35.56	40.64
770309WV051	9	40.64	45.72
770310WV051	10	45.72	50.80
770311WV051	11	50.80	55.88
770312WV051	12	55.88	60.96
770313WV051	13	60.96	66.04
770314WV051	14	66.04	71.12
770315WV051	15	71.12	76.20
770316WV051	16	76.20	81.28
770317WV051	17	81.28	86.36
770318WV051	18	86.36	91.44
770319WV051	19	91.44	96.52
770320WV051	20	96.52	101.6

**NOTE:**

1. Housing Material: Nylon 66 UL94V2
2. Color: Natural
3. Insulation resistance: 1000MΩ min.
4. Withstand voltage: 1500V AC/minute.
5. Current rating: 5A AC/DC.
6. Voltage rating: 250V AC/DC

UNLESS OTHERWISE SPECIFIED TOLERANCES			
3 PLACE ±0.5 ±0.10			
2 PLACE ±1.5 ±0.35			
1 PLACE ±2.0 ±0.50			
ANGLE DIM			
REV.	REVISION		DIS DATE
SCALE	REV.	PAGE:	UNIT mm
4/1	A	1	THIRD ANGLE PROJECTION

**EXCON**  
**EXCON TECHNOLOGY COMPANY**

PART.NO: 7703xxWV051

