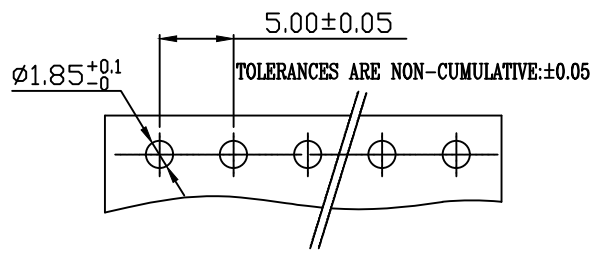
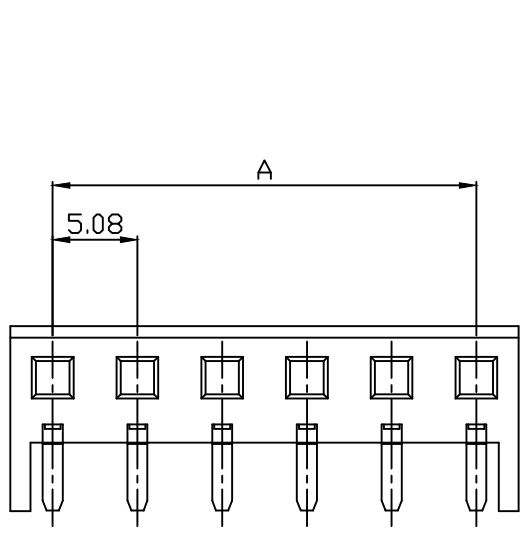
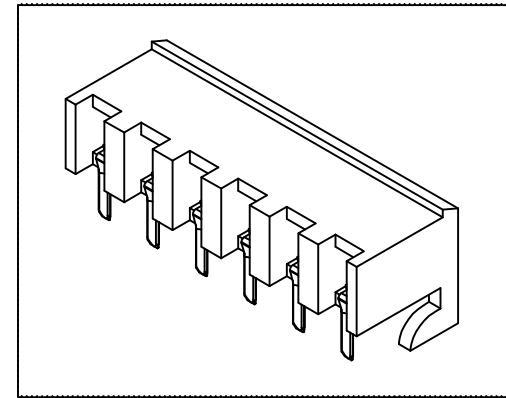


PART NO. 7703xxWR051
 DWG NO. C7703WR

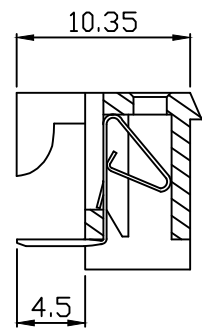
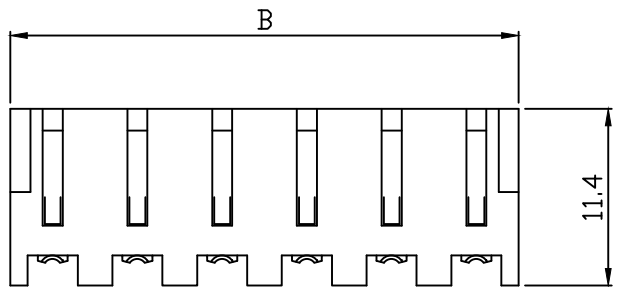


RECOMMENDED PCB LAYOUT
 (PCB THK=1.0~1.6)



Dimensional & Ordering Information:

Part No.	Circuits	Dim A	Dim B
770302WR051	2	5.08	10.16
770303WR051	3	10.16	15.24
770304WR051	4	15.24	20.32
770305WR051	5	20.32	25.40
770306WR051	6	25.40	30.48
770307WR051	7	30.48	35.56
770308WR051	8	35.56	40.64
770309WR051	9	40.64	45.72
770310WR051	10	45.72	50.80
770311WR051	11	50.80	55.88
770312WR051	12	55.88	60.96
770313WR051	13	60.96	66.04
770314WR051	14	66.04	71.12
770315WR051	15	71.12	76.20
770316WR051	16	76.20	81.28
770317WR051	17	81.28	86.36
770318WR051	18	86.36	91.44
770319WR051	19	91.44	96.52
770320WR051	20	96.52	101.6



NOTE:

- Housing Material: Nylon 66 UL94V2
- Color: Natural
- Insulation resistance: 1000MΩ min.
- Withstand voltage: 1500V AC/minute.
- Current rating: 5A AC/DC.
- Voltage rating: 250V AC/DC

				UNLESS OTHERWISE SPECIFIED TOLERANCES		 EXCON TECHNOLOGY COMPANY
				3 PLACE ±0.5 ±0.10		
				2 PLACE ±1.5 ±0.35		
				1 PLACE ±2.0 ±0.50		
				ANGLE DIM		
REV.	REVISION			DIS	DATE	
SCALE	REV.	PAGE	UNIT	mm		DWG NO:
4/1	A	1	THIRD ANGLE PROJECTION			C7703WR
					PART.NO	
					7703xxWR051	