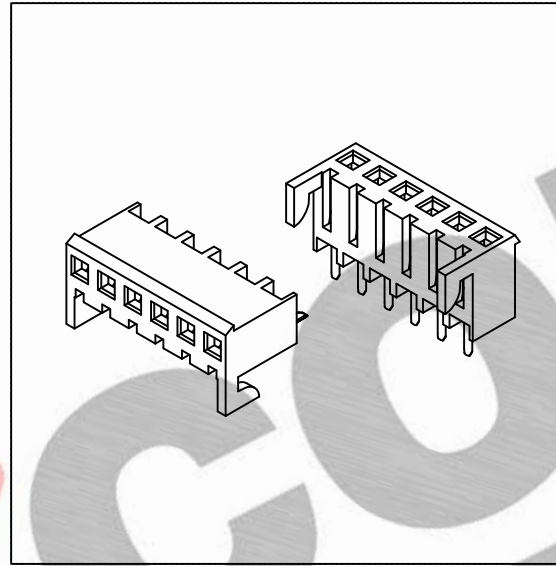
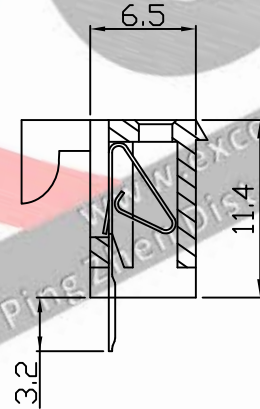
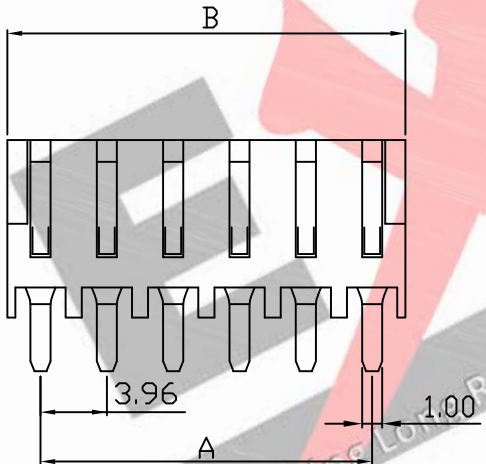
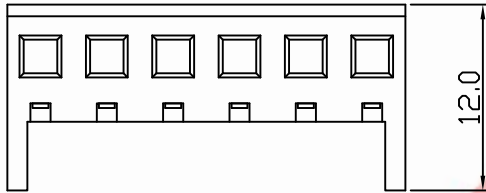


RECOMMENDED PCB LAYOUT
(PCB THK=1.0~1.6)



Dimensional & Ordering Information:

Part No.	Circuits	Dim A	Dim B
770202WV051	2	3.96	7.98
770203WV051	3	7.92	11.94
770204WV051	4	11.88	15.90
770205WV051	5	15.84	19.86
770206WV051	6	19.80	23.82
770207WV051	7	23.76	27.78
770208WV051	8	27.72	31.74
770209WV051	9	31.68	35.70
770210WV051	10	35.64	39.66
770211WV051	11	39.60	43.62
770212WV051	12	43.56	47.58
770213WV051	13	47.52	51.54
770214WV051	14	51.48	55.50
770215WV051	15	55.44	59.46
770216WV051	16	59.40	63.42
770217WV051	17	63.36	67.38
770218WV051	18	67.32	71.34
770219WV051	19	71.28	75.30
770220WV051	20	75.24	79.26
770221WV051	21	79.20	83.22
770222WV051	22	83.16	87.18
770223WV051	23	87.12	91.14
770224WV051	24	91.08	95.10
770225WV051	25	95.04	99.06

NOTE:

1. Housing Material: Nylon 66 UL94V2
2. Color: Natural
3. Insulation resistance: 1000MΩ min.
4. Withstand voltage: 1500V AC/minute.
5. Current rating: 5A AC/DC.
6. Voltage rating: 250V AC/DC

UNLESS OTHERWISE SPECIFIED TOLERANCES			
3 PLACE ±0.5 ±0.10			
2 PLACE ±1.5 ±0.35			
1 PLACE ±2.0 ±0.50			
ANGLE DIM			
REV.	REVISION		DIS DATE
SCALE	REV.	PAGE:	UNIT M M
4/1	A	1	THIRD ANGLE PROJECTION
DWG NO:			C7702WV



PART.NO			7702xxWV051
---------	--	--	-------------