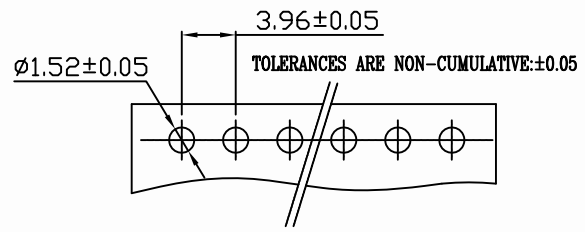
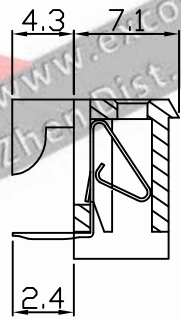
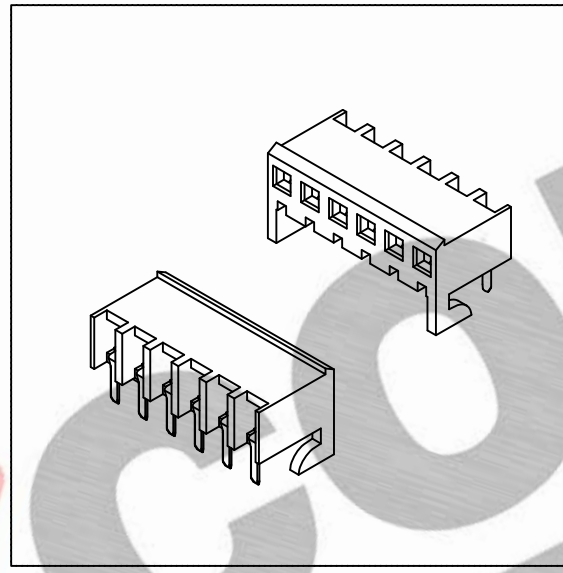
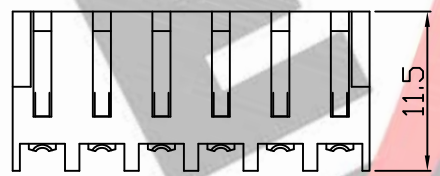
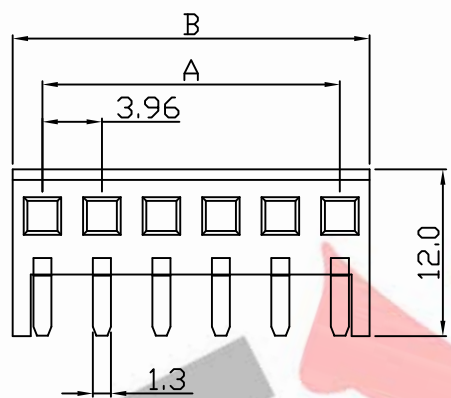


PART NO. 7702xxWR051  
 DWG NO. C7702WR



RECOMMENDED PCB LAYOUT  
 (PCB THK=1.0~1.6)



Dimensional & Ordering Information:

Part No.	Circuits	Dim A	Dim B
770202WR051	2	3.96	7.98
770203WR051	3	7.92	11.94
770204WR051	4	11.88	15.90
770205WR051	5	15.84	19.86
770206WR051	6	19.80	23.82
770207WR051	7	23.76	27.78
770208WR051	8	27.72	31.74
770209WR051	9	31.68	35.70
770210WR051	10	35.64	39.66
770211WR051	11	39.60	43.62
770212WR051	12	43.56	47.58
770213WR051	13	47.52	51.54
770214WR051	14	51.48	55.50
770215WR051	15	55.44	59.46
770216WR051	16	59.40	63.42
770217WR051	17	63.36	67.38
770218WR051	18	67.32	71.34
770219WR051	19	71.28	75.30
770220WR051	20	75.24	79.26
770221WR051	21	79.20	83.22
770222WR051	22	83.16	87.18
770223WR051	23	87.12	91.14
770224WR051	24	91.08	95.10
770225WR051	25	95.04	99.06

NOTE:

1. Housing Material: Nylon 66 UL94V2
2. Color: Natural
3. Insulation resistance: 1000MΩ min.
4. Withstand voltage: 1500V AC/minute.
5. Current rating: 5A AC/DC.
6. Voltage rating: 250V AC/DC

UNLESS OTHERWISE SPECIFIED TOLERANCES  
 3 PLACE ±0.5 ±0.10  
 2 PLACE ±1.5 ±0.35  
 1 PLACE ±2.0 ±0.50  
 ANGLE DIM

**EXCON**  
 EXCON TECHNOLOGY COMPANY

REV.	REVISION	DIS	DATE	DWG NO:	PART.NO
4/1	A	1	THIRD ANGLE PROJECTION	C7702WR	7702xxWR051