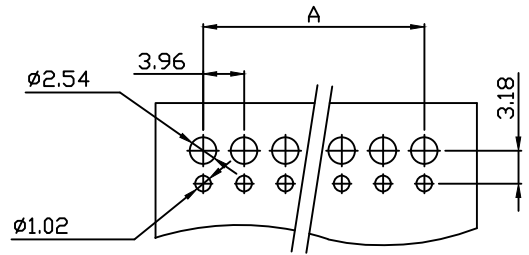
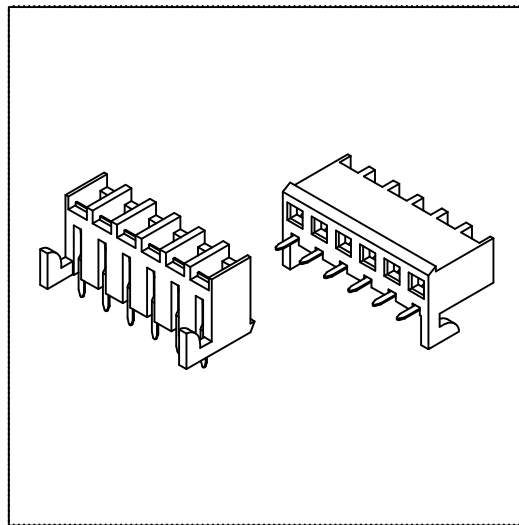
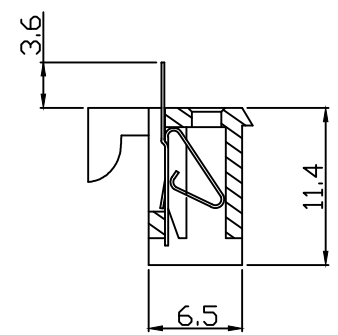
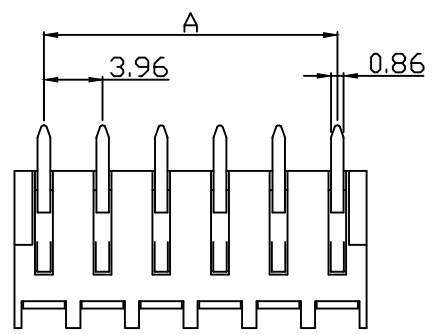
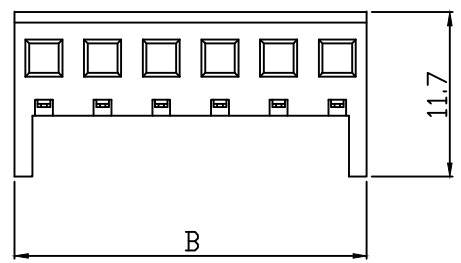


PART NO. 7702xxWK051
 DWG NO. C7702WK



RECOMMENDED PCB LAYOUT
 (PCB THK=1.0~1.6)



Dimensional & Ordering Information:

Part No.	Circuits	Dim A	Dim B
770202WK051	2	3.96	7.98
770203WK051	3	7.92	11.94
770204WK051	4	11.88	15.90
770205WK051	5	15.84	19.86
770206WK051	6	19.80	23.82
770207WK051	7	23.76	27.78
770208WK051	8	27.72	31.74
770209WK051	9	31.68	35.70
770210WK051	10	35.64	39.66
770211WK051	11	39.60	43.62
770212WK051	12	43.56	47.58
770213WK051	13	47.52	51.54
770214WK051	14	51.48	55.50
770215WK051	15	55.44	59.46
770216WK051	16	59.40	63.42
770217WK051	17	63.36	67.38
770218WK051	18	67.32	71.34
770219WK051	19	71.28	75.30
770220WK051	20	75.24	79.26
770221WK051	21	79.20	83.22
770222WK051	22	83.16	87.18
770223WK051	23	87.12	91.14
770224WK051	24	91.08	95.10
770225WK051	25	95.04	99.06

NOTE:

- Housing Material: Nylon 66 UL94V2
- Color: Natural
- Insulation resistance: 1000MΩ min.
- Withstand voltage: 1500V AC/minute.
- Current rating: 5A AC/DC.
- Voltage rating: 250V AC/DC

UNLESS OTHERWISE SPECIFIED TOLERANCES				 EXCON TECHNOLOGY COMPANY	
3 PLACE ±0.5 ±0.10					
2 PLACE ±1.5 ±0.35				PART.NO	
1 PLACE ±2.0 ±0.50				7702xxWK051	
ANGLE DIM					
REV.	REVISION		DIS	DATE	
SCALE	REV.	PAGE	UNIT	mm	
4/1	A	1	THIRD ANGLE PROJECTION	C7702WK	