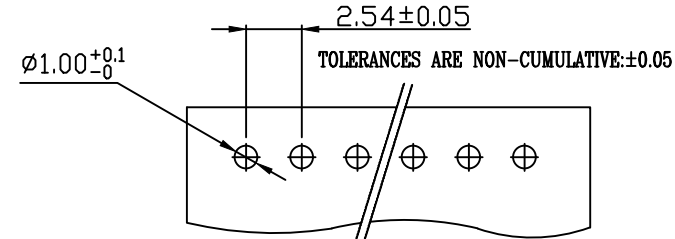
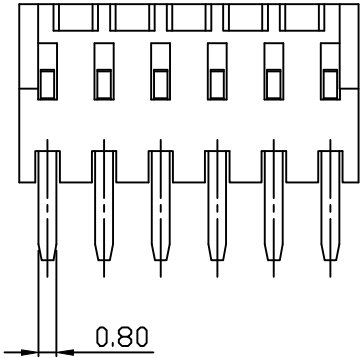
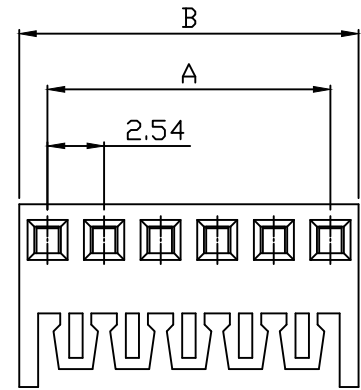
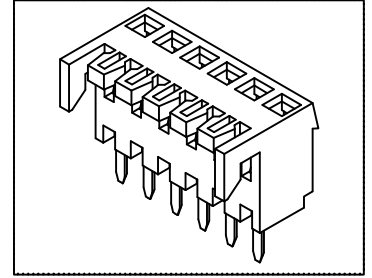
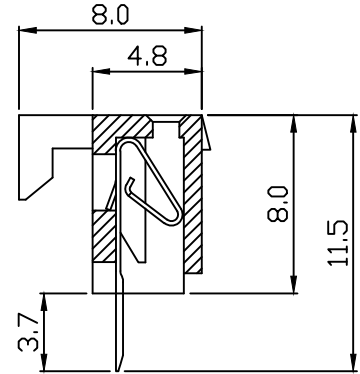


PART NO. 7701xxWV001  
 DWG NO. C7701WV



**RECOMMENDED PCB LAYOUT**  
 (PCB THK=1.0~1.6)



**Dimensional & Ordering Information:**

Part No.	Circuits	Dim A	Dim B
770102WV001	2	2.54	5.08
770103WV001	3	5.08	7.62
770104WV001	4	7.62	10.16
770105WV001	5	10.16	12.70
770106WV001	6	12.70	15.24
770107WV001	7	15.24	17.78
770108WV001	8	17.78	20.32
770109WV001	9	20.32	22.86
770110WV001	10	22.86	25.40
770111WV001	11	25.40	27.94
770112WV001	12	27.94	30.48
770113WV001	13	30.48	33.02
770114WV001	14	33.02	35.56
770115WV001	15	35.56	38.10
770116WV001	16	38.10	40.64
770117WV001	17	40.64	43.18
770118WV001	18	43.18	45.72
770119WV001	19	45.72	48.26
770120WV001	20	48.26	50.80
770121WV001	21	50.80	53.34
770122WV001	22	53.34	55.88
770123WV001	23	55.88	58.42
770124WV001	24	58.42	60.96
770125WV001	25	60.96	63.50

**NOTE:**

- Housing Material: Nylon 66 UL94-V0
- Color: Natural
- Withstand voltage: 1500V AC/minute.
- Current rating: 3A AC/DC.
- Voltage rating: 250V AC/DC

REV.	REVISION	DIS	DATE

SCALE	REV.	PAGE	UNIT	mm	DWG NO:	PART.NO
4/1	A	1	THIRD ANGLE PROJECTION		C7701WV	7701xxWV001

UNLESS OTHERWISE SPECIFIED TOLERANCES  
 3 PLACE ±0.5 ±0.10  
 2 PLACE ±1.5 ±0.35  
 1 PLACE ±2.0 ±0.50  
 ANGLE DIM

