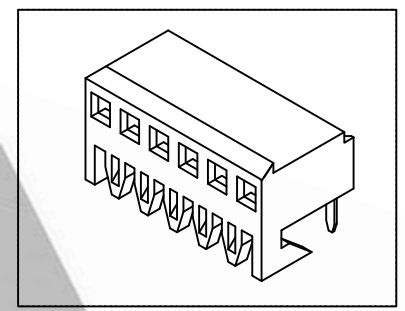
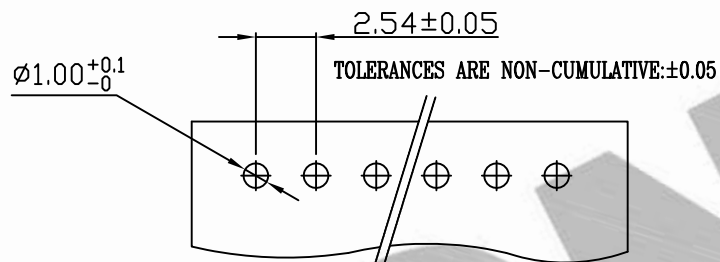
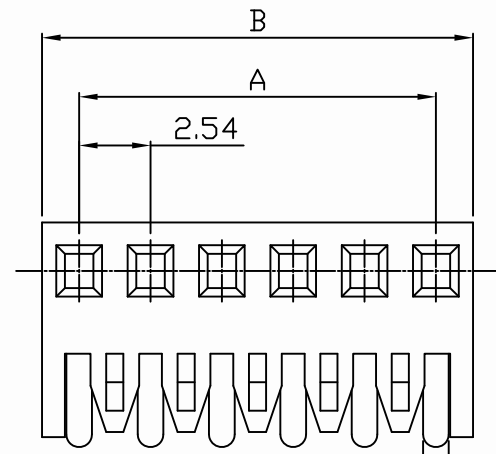
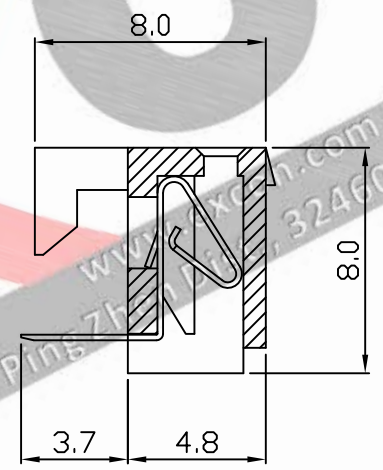
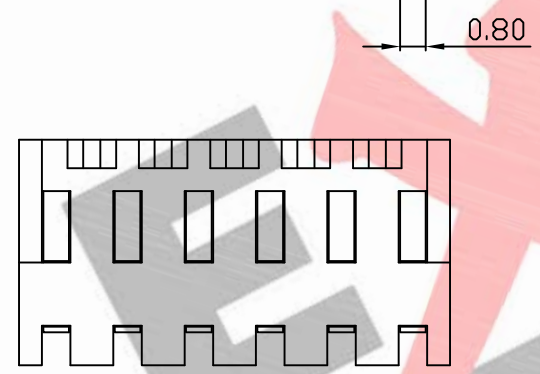


PART NO. 7701xxWR001  
 DWG NO. C7701WR



**RECOMMENDED PCB LAYOUT**  
 (PCB THK=1.0~1.6)



**Dimensional & Ordering Information:**

Part No.	Circuits	Dim A	Dim B
770102WR001	2	2.54	5.08
770103WR001	3	5.08	7.62
770104WR001	4	7.62	10.16
770105WR001	5	10.16	12.70
770106WR001	6	12.70	15.24
770107WR001	7	15.24	17.78
770108WR001	8	17.78	20.32
770109WR001	9	20.32	22.86
770110WR001	10	22.86	25.40
770111WR001	11	25.40	27.94
770112WR001	12	27.94	30.48
770113WR001	13	30.48	33.02
770114WR001	14	33.02	35.56
770115WR001	15	35.56	38.10
770116WR001	16	38.10	40.64
770117WR001	17	40.64	43.18
770118WR001	18	43.18	45.72
770119WR001	19	45.72	48.26
770120WR001	20	48.26	50.80
770121WR001	21	50.80	53.34
770122WR001	22	53.34	55.88
770123WR001	23	55.88	58.42
770124WR001	24	58.42	60.96
770125WR001	25	60.96	63.50

**NOTE:**

- Housing Material: Nylon 66 UL94-V0
- Color: Natural
- Withstand voltage: 1500V AC/minute.
- Current rating: 3A AC/DC.
- Voltage rating: 250V AC/DC

UNLESS OTHERWISE SPECIFIED TOLERANCES  
 3 PLACE ±0.5 ±0.10  
 2 PLACE ±1.5 ±0.35  
 1 PLACE ±2.0 ±0.50  
 ANGLE DIM

**EXCON**  
 EXCON TECHNOLOGY COMPANY

REV.	REVISION	DIS	DATE	SCALE	REV.	PAGE:	UNIT	mm	DWG NO:	PART.NO
4/1	A	1					THIRD ANGLE PROJECTION		C7701WR	7701xxWR001