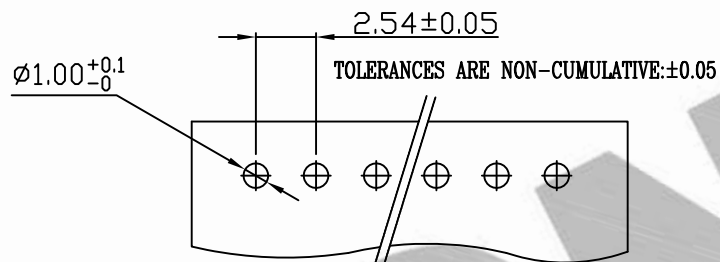
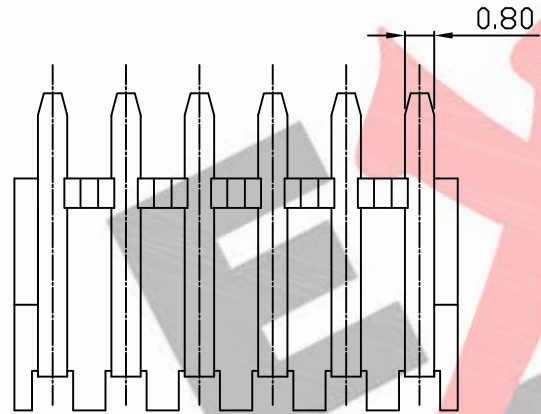
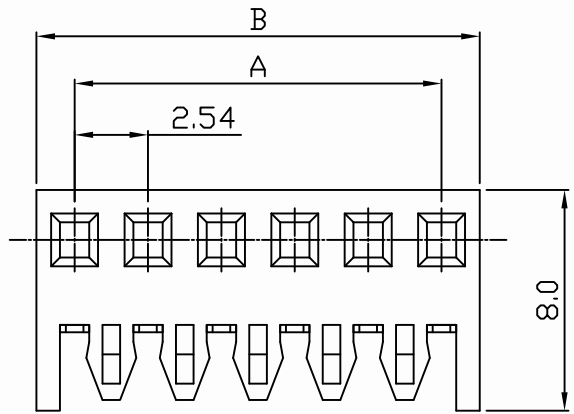
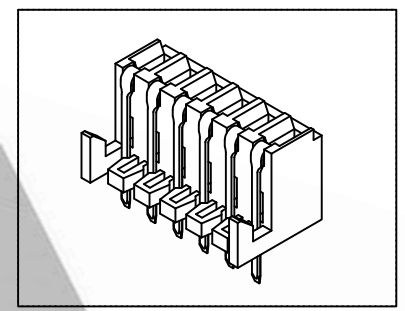


PART NO. 7701xxWK001
 DWG NO. C7701WK

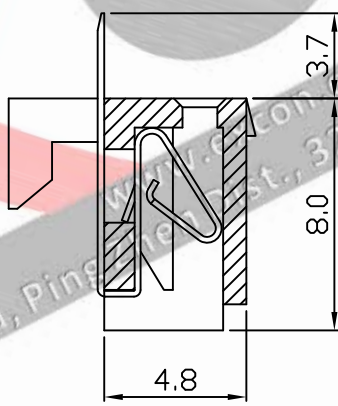


RECOMMENDED PCB LAYOUT
 (PCB THK=1.0~1.6)



Dimensional & Ordering Information:

Part No.	Circuits	Dim A	Dim B
770102WK001	2	2.54	5.08
770103WK001	3	5.08	7.62
770104WK001	4	7.62	10.16
770105WK001	5	10.16	12.70
770106WK001	6	12.70	15.24
770107WK001	7	15.24	17.78
770108WK001	8	17.78	20.32
770109WK001	9	20.32	22.86
770110WK001	10	22.86	25.40
770111WK001	11	25.40	27.94
770112WK001	12	27.94	30.48
770113WK001	13	30.48	33.02
770114WK001	14	33.02	35.56
770115WK001	15	35.56	38.10
770116WK001	16	38.10	40.64
770117WK001	17	40.64	43.18
770118WK001	18	43.18	45.72
770119WK001	19	45.72	48.26
770120WK001	20	48.26	50.80
770121WK001	21	50.80	53.34
770122WK001	22	53.34	55.88
770123WK001	23	55.88	58.42
770124WK001	24	58.42	60.96
770125WK001	25	60.96	63.50



- NOTE:**
- Housing Material: Nylon 66 UL94-V0
 - Color: Natural
 - Withstand voltage: 1500V AC/minute.
 - Current rating: 3A AC/DC.
 - Voltage rating: 250V AC/DC

UNLESS OTHERWISE SPECIFIED TOLERANCES			
3 PLACE ±0.5 ±0.10			
2 PLACE ±1.5 ±0.35			
1 PLACE ±2.0 ±0.50			
ANGLE DIM			
REV.	REVISION		DIS DATE
SCALE	REV.	PAGE:	UNIT mm
4/1	A	1	THIRD ANGLE PROJECTION
DWG NO:			C7701WK

EXCON

EXCON TECHNOLOGY COMPANY

PART.NO

7701xxWK001